



AccuPocket 150 Battery Stick + TIG

Canadian Edition

Unique Features of the Accupocket 150 Stick + TIG

- The world's first battery-powered welder!
- Unlimited mobility!
- Up to 22 electrodes or 124 inches TIG in one charge!
- STICK: Advanced Anti-Stick for ease of use!
- TIG: Full 150 A power even on 120 V input!
- TIG: TAC function makes prep easy!



Package #49,0410,0066

Accupocket 150 Stick + TIG	
Mains voltage -20 / +15%	120 V
Mains fuse protection (slow-blow)	Max 20 A
Charging time 0 - 100%	50 Minutes - Standard charge 30 Minutes - Quick charge
Stick Welding Current Range	10 - 140 A
Output Voltage Range	20.4 - 27.2 V
	Stick TIG
Duty Cycle 10min/40 °C 30% D.C.	140 A 150 A
Duty Cycle 10min/40 °C 60% D.C.	100 A 120 A
Duty Cycle 10min/40 °C 100% D.C.	40 A 65 A
Open Circuit Voltage	91 V
Protection Rating	IP 23
Dimensions L x W x H	435 x 160 x 310 mm / 17.1 x 6.3 x 12.2 in
Weight	10.9 kg (24.3 lb)

Optional Accessories	Part Number
1 Vizor 4000 Plus Helmet	42,0510,0230
2 Helmet Backpack	42,0510,0078
3 Carrying Strap	4,101,124
4 Charger Wall Mounting Bracket	4,001,722
AccuCare Extended Warranty	41,200,606
New Calibration Certificate (See next page)	43,400,040



1



2



3



4



AccuPocket 150 Battery Stick + TIG

Canadian Edition



Spare Parts



Diagram Number	Description	Fronius Part Number
1	AccuPocket 150 Stick + TIG Battery Replacement / Power Source	4,075,201
2	Electrode Holder	43,0004,1606
3	Ground Cable	43,0004,1607
4	Replacement Charger	4,010,342
5	Charging Cable	43,0004,4712
6	ToolCase 85	42,0510,0235
7	Hammer & Wire Brush	42,0410,0485
8	Welding Face Shield	44,0450,0048
9	Gas Adapter	42,0001,3541
10	Gas Hose	44,0001,0538

Extended Warranty

Description	Fronius Part Number
Accucare Extended Warranty	41,200,606

/ AccuCare Extended warranty allows you to extend your warranty from our standard 3 years (with registration) to 5 years and includes the following extras:

- Parts, labour and travel
- If at any point during those 5 years the maximum charge drops below 70%, we will replace the battery for FREE.

For more detailed information see our [„Warranty Terms and Conditions“](#)

New Calibration

Description	Fronius Part Number
Calibration Certificate	43,400,040

- All Accupocket are factory calibrated. If your customer needs a current or present day calibration certificate, a new calibration needs to be purchased by ordering this item number. Calibration can be done at any Fronius Service Center. [Click Here](#) to see the map.

AccuPocket 150 Battery Stick + TIG

Canadian Edition

Accupocket 150 Stick + TIG Wear and Spare Parts

TIG Torch Consumables - TTG 1600 A

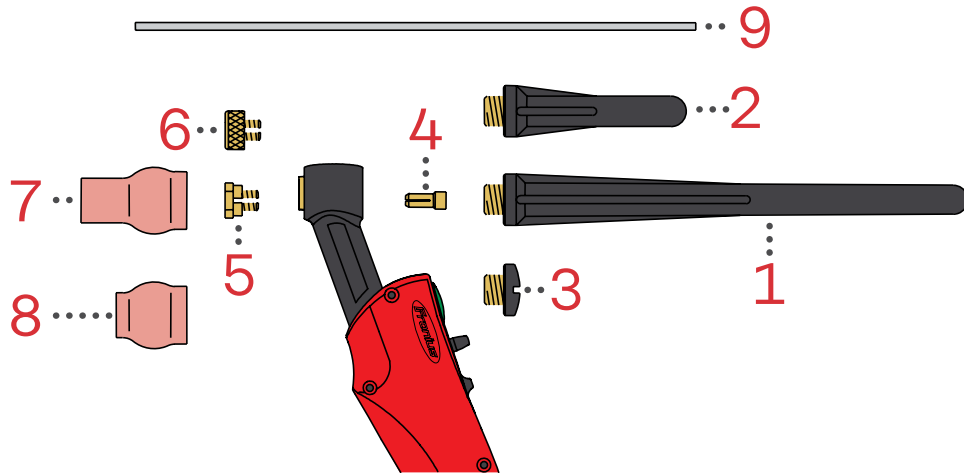


Diagram Number	Description	Fronius Part Number
	TIG Torch TTG 1600A FS/UD/4m/TMC	4,035,979
1	Torch Cap Long L153mm	44,0350,0336
2	Torch Cap Middle L64mm	44,0350,0337
3	Torch Cap Short L11mm	44,0350,0338
4	Clamping Sleeve 1/16"	42,0001,1149
4	Clamping Sleeve 3/32"	42,0001,1150
5	Clamping Nut 1/16"	42,0001,0693
5	Clamping Nut 3/32"	42,0001,0694
6	Gas Lens 1/16"	44,0350,1501
6	Gas Lens 3/32"	44,0350,1460
7	Gas Nozzle Ceramic Ø9.5mm -- 33 mm length - Cup Size #6	42,0300,0822
8	Gas Nozzle Ceramic Ø9.5mm -- 22 mm length - Cup Size #6	42,0300,0818
9	Grey Tungsten Electrode WC20 1/16" (1.6mm)*175mm (10 pcs.)	42,0411,4001,10
9	Grey Tungsten Electrode WC20 3/32" (2.4mm)*175mm (10 pcs.)	42,0411,4002,10



AccuPocket 150 Battery Stick + TIG

Canadian Edition


What Comes in the Accupocket 150 Stick + TIG
Ready-2-Weld package #49,0410,0066

		Fronius Part Number	Qty.
AccuPocket Stick + TIG Set 4,075,201,851	AccuPocket 150 Stick + TIG	4,075,201	1
	ActiveCharger	4,010,342,850	1
	Charging Cable	43,0004,4712	1
	Tig Torch TTG 1600A FS/UD/4m/TMC	4,035,979	1
	Gas Hose	44,0001,0538	1
	Electrode Holder	43,0004,1606	1
	Ground Cable	43,0004,1607	1
	Welding Gloves	42,0510,0017	1
	Hammer & Wire Brush	42,0410,0485	1
	Welding Face Shield	44,0450,0048	1
	Tool case 85	42,0510,0235	1
	Gas Adapter	42,0001,3541	1
Canadian Edition (Factory Install)	4,101,210	1	



AccuPocket
**Stick
 + TIG**

Battery Mode

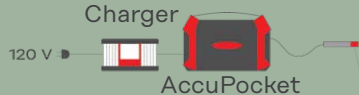


AccuPocket

Up to 22 electrodes on a single charge

Hybrid Mode

Charger



120 V mains gives full 140 A output power

Generator Mode

Charger

Generator AccuPocket

Generator compatible from 2 kVA

Stick Features



24 lbs.
11 kg

Ultimate Portability

- At 24 lbs. (11 kg), the AccuPocket can easily be carried on the shoulder for use anywhere!
- The AccuPocket Stick package comes with a sturdy wheeled toolcase you can easily throw in the back of a truck instead of 150 pounds of generator and cabling.



Smoothest Arc Characteristics

- DC battery power channels DC to the arc without any inversion like typical welding machines creating the smoothest arc possible.



Advanced Anti-Stick

- High open circuit voltage makes ignition easy even for beginners



AccuPocket

Stick + TIG

TIG Features



Integrated TIG gas solenoid

- The Integrated gas valve allows for seamless TIG Integration!
- Adjustable gas pre and post-flow settings!
- TIG Pulsing allows you to better control the weld puddle. This makes out of position welding far easier



Greater welding temp control with TIG pulsing

- Ideal for stainless applications
- Great for less experienced TIG Welders



Tig tacking function

- The TIG tacking function gives you the ability to prepare your pieces without filler material by pulsing the current, bridging the pools on the two metals



Delayed Lift Arc

- Delayed Lift arc ignition slowly ramps up current for a cleaner start, preventing fouling of your tungsten electrode!