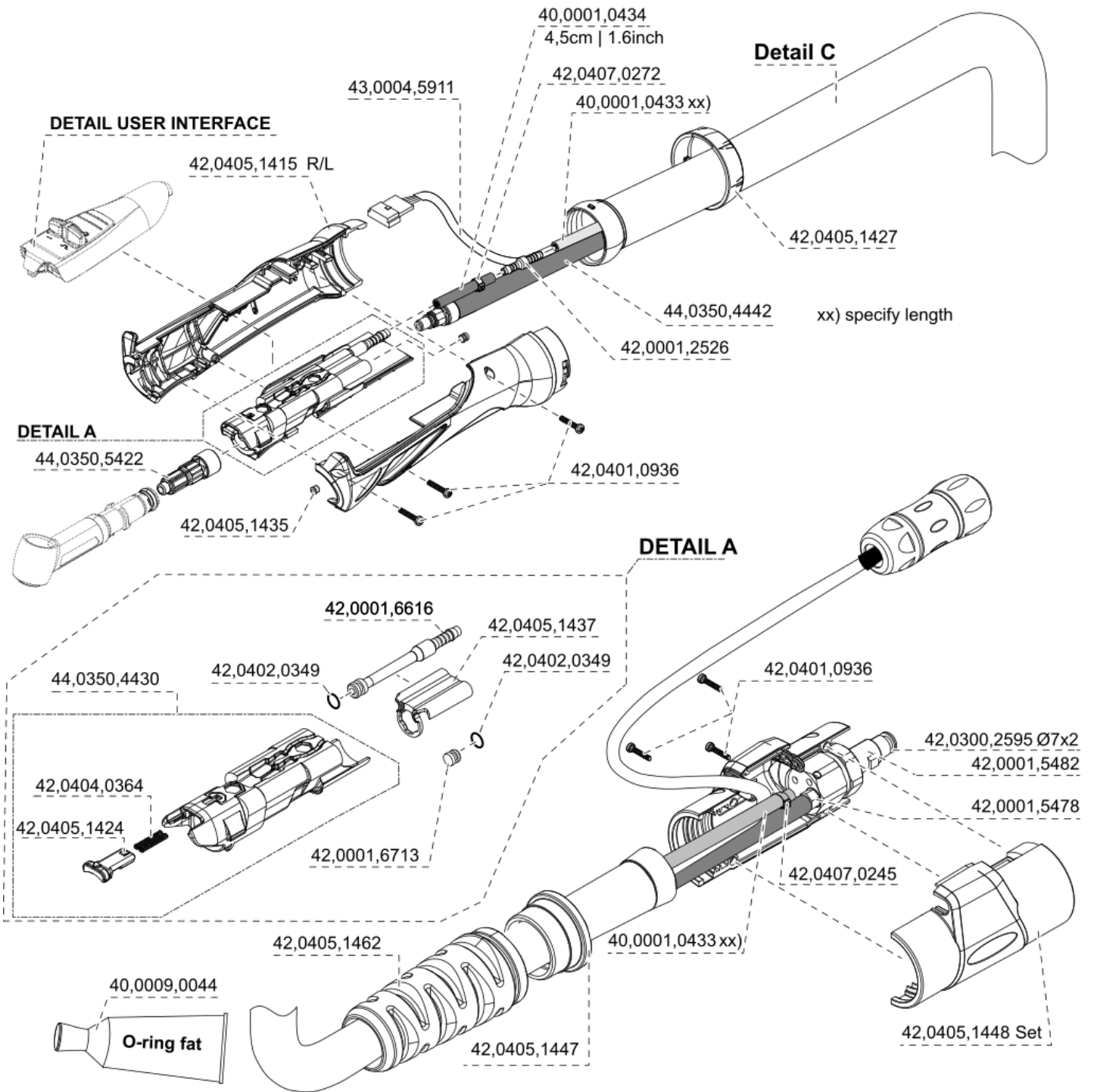


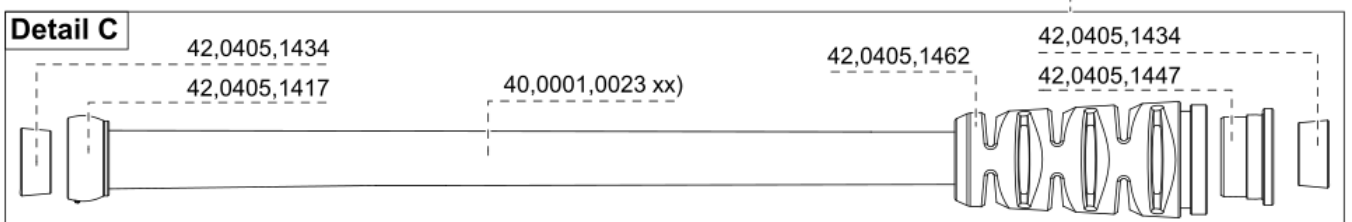
THP 220d G ML/F/UD/4m/TMC

4,051,412

THP 220d G ML/F/UD/4m/TMC (4,051,412)



44,0350,4457 3,76m / 12.3ft

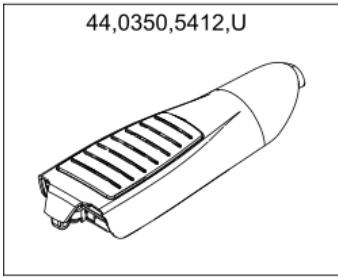


THP 220d G ML/F/UD/4m/TMC (4,051,412)

USER INTERFACE

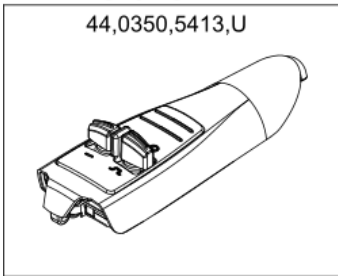
NO TRIGGER

44,0350,5412,U



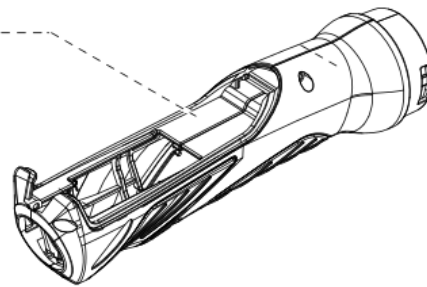
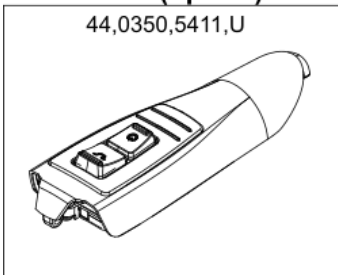
UP/DOWN

44,0350,5413,U

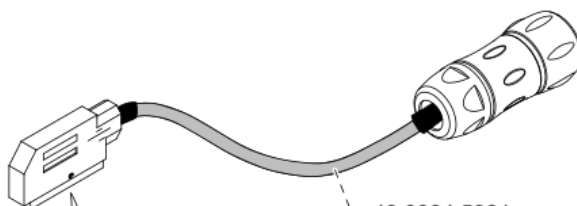
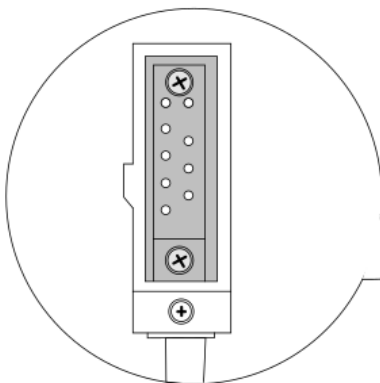


STD/d (option)

44,0350,5411,U



Adapter TMC-Tuchel-0,2m



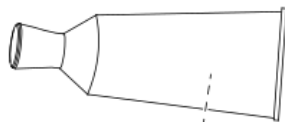
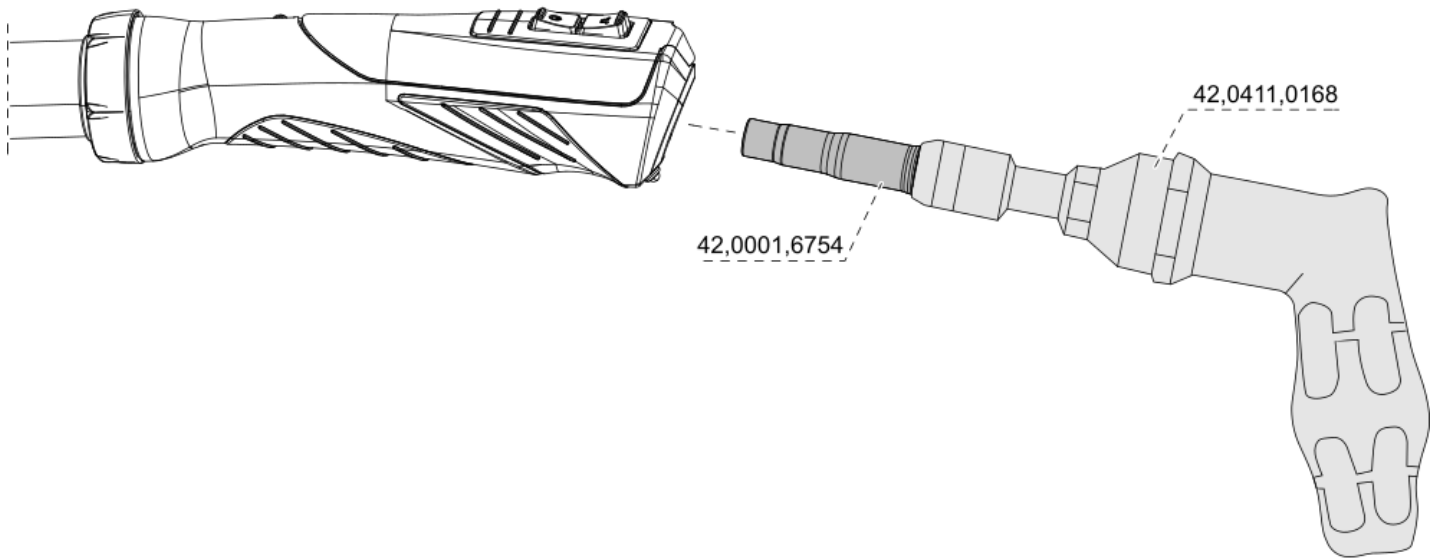
43,0004,5991



40,0006,0011

THP 220d G ML/F/UD/4m/TMC (4,051,412)

TOOL



40,0009,0044
tube includes fat for
sealing rings (O-rings)

THP 220d G ML/F/UD/4m/TMC (4,051,412)

Article no.	Description	Quantity	Unit
42,0405,1424	Slider lock TIGi ML std.	1	pc
44,0350,5412,U	C-kit user interface TIG NT	1	pc
44,0350,5413,U	C-kit user interface TIG UD/d	1	pc
44,0350,5411,U	C-kit user interface TIG STD/d	1	pc