

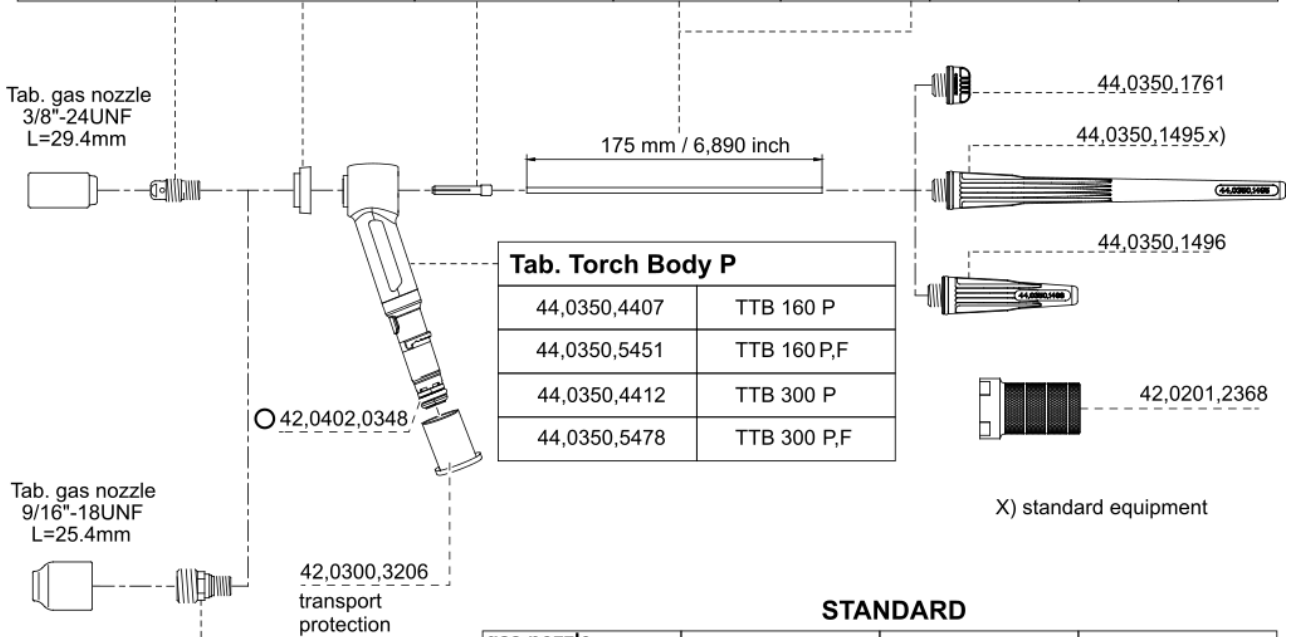
**TTB 300P F W ML /70°/L65**

**44,0350,5478**

# TTB 300P F W ML /70°/L65 (44,0350,5478)

## STANDARD

| Part No. collet body | Part No. head shield | Part No. collet | Part No. electrode WC20 | Part No. electrode WP | Part No. electrode WS2 | Electrode Ø |       |
|----------------------|----------------------|-----------------|-------------------------|-----------------------|------------------------|-------------|-------|
|                      |                      |                 |                         |                       |                        | Ømm         | Øinch |
| 42,0001,2827         | 42,0100,0391 x)      | 42,0001,1129    | 42,0411,4012            |                       |                        | 1,0         | .039  |
| 42,0001,0260         |                      | 42,0001,1130    | 42,0411,4001            | 42,0411,4008          | 42,0411,0161           | 1,6         | .063  |
| 42,0001,0647         |                      | 42,0001,1131    | 42,0411,4004            | 42,0411,0214          | 42,0411,0215           | 2,0         | .078  |
| 42,0001,0261 x)      |                      | 42,0001,1132 x) | 42,0411,4002 x)         | 42,0411,4005          | 42,0411,0162           | 2,4         | .094  |
| 42,0001,0262         |                      | 42,0001,1133    | 42,0411,4003            | 42,0411,4006          | 42,0411,0163           | 3,2         | .126  |



## STANDARD

| gas nozzle ceramic screwable 3/8"-24UNF L=29.4mm 1.156inch | d1   |      | d2   |      | Part No.        |
|--|------|------|------|------|-----------------|
|  | mm   | inch | mm   | inch |                 |
|  | 6,4  | .252 | 14,3 | .563 | 42,0300,0105    |
|  | 7,9  | .311 | 14,3 | .563 | 42,0300,0106    |
|  | 9,5  | .374 | 14,3 | .563 | 42,0300,0107 x) |
|  | 11,1 | .437 | 17,5 | .689 | 42,0300,0108    |
|  | 12,7 | .500 | 17,5 | .689 | 42,0300,0109    |
|  | 15,9 | .626 | 20,6 | .811 | 42,0300,0110    |

## GAS LENS STANDARD

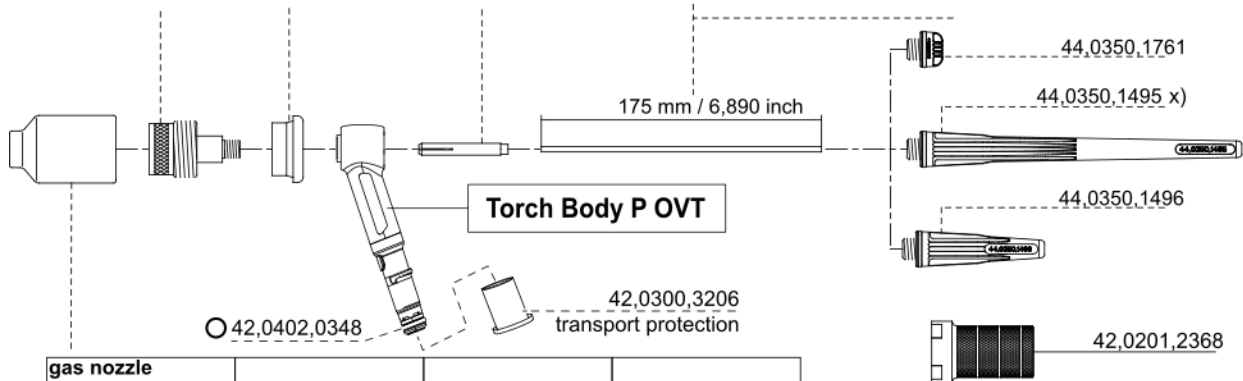
| Electrode Ø |        | Part No. gas lens |
|-------------|--------|-------------------|
| Ø mm        | Ø inch |                   |
| 1,0         | .039   | 42,0001,1343      |
| 1,6         | .063   | 42,0001,1344      |
| 2,0         | .078   | 42,0001,1135      |
| 2,4         | .094   | 42,0001,1345      |
| 3,2         | .126   | 42,0001,1346      |

| gas nozzle ceramic screwable 9/16"-18UNF L=25.4mm / 1.0inch | d3   |      | d4   |      | Part No.     |
|---|------|------|------|------|--------------|
|   | mm   | inch | mm   | inch |              |
|   | 6,4  | .252 | 20,6 | .811 | 42,0300,0982 |
|   | 7,9  | .311 | 20,6 | .811 | 42,0300,0983 |
|   | 9,5  | .374 | 20,6 | .811 | 42,0300,0984 |
|   | 11,1 | .437 | 20,6 | .811 | 42,0300,2007 |
|   | 12,7 | .500 | 19   | .748 | 42,0300,2008 |

# TTB 300P F W ML /70°/L65 (44,0350,5478)

## GAS LENS LARGE

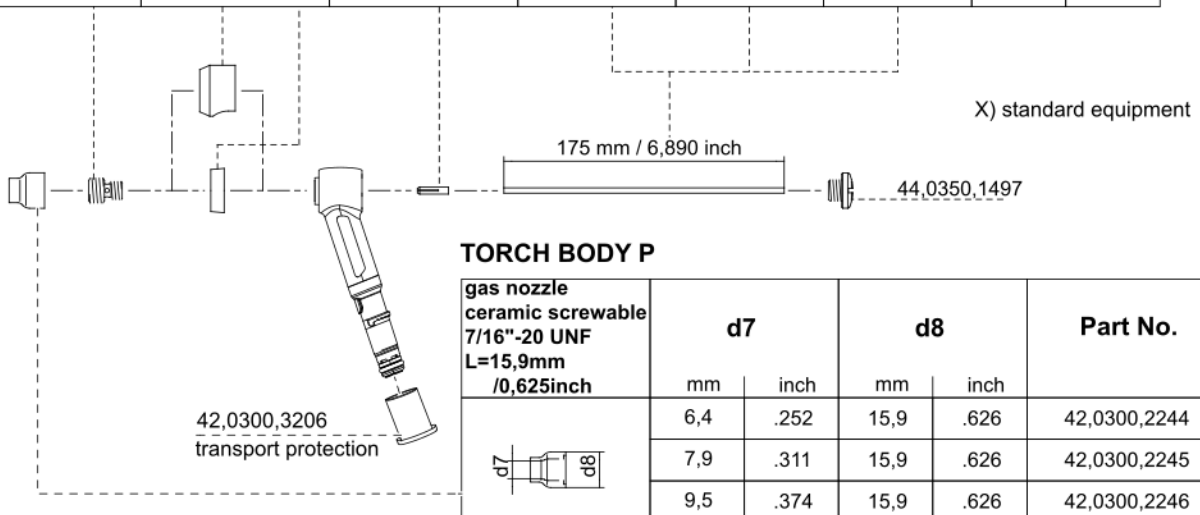
| Part No. gas lens | Part No. head shield | Part No. collet | Part No. electrode WC20 | Part No. electrode WP | Part No. electrode WS2 | Electrode Ø |        |
|-------------------|----------------------|-----------------|-------------------------|-----------------------|------------------------|-------------|--------|
|                   |                      |                 |                         |                       |                        | Ø mm        | Ø inch |
| 42,0001,3010      | 42,0100,0407         | 42,0001,2826    | 42,0411,4012            |                       |                        | 1,0         | .039   |
| 42,0001,3011      |                      | 42,0001,3001    | 42,0411,4001            | 42,0411,4008          | 42,0411,0161           | 1,6         | .063   |
| 42,0001,0571      |                      | 42,0001,0570    | 42,0411,4004            | 42,0411,0214          | 42,0411,0215           | 2,0         | .078   |
| 42,0001,3012      |                      | 42,0001,3008    | 42,0411,4002            | 42,0411,4005          | 42,0411,0162           | 2,4         | .094   |
| 42,0001,3013      |                      | 42,0001,3009    | 42,0411,4003            | 42,0411,4006          | 42,0411,0163           | 3,2         | .126   |



| gas nozzle ceramic screwable 1"-16G L=47,6mm /1,875inch | d5   |      | d6   |       | Part No.     |
|---|------|------|------|-------|--------------|
|   | mm   | inch | mm   | inch  |              |
|   | 9,5  | .374 | 30,2 | 1,189 | 42,0300,2247 |
|   | 12,7 | .500 | 30,2 | 1,189 | 42,0300,2248 |
|   | 15,9 | .626 | 30,2 | 1,189 | 42,0300,2249 |
|   | 19,0 | .75  | 30,2 | 1,189 | 42,0300,2250 |

## GAS LENS SMALL

| Part No. gas lens | Part No. head shield | Part No. collet | Part No. electrode WC20 | Part No. electrode WP | Part No. electrode WS2 | Electrode Ø |        |
|-------------------|----------------------|-----------------|-------------------------|-----------------------|------------------------|-------------|--------|
|                   |                      |                 |                         |                       |                        | Ø mm        | Ø inch |
| 44,0350,1489      | 42,0100,0388 long    | 42,0001,3002    | 42,0411,4012            |                       |                        | 1,0         | .039   |
| 44,0350,1490      | 42,0100,0387 x)      | 42,0001,3003    | 42,0411,4001            | 42,0411,4008          | 42,0411,0161           | 1,6         | .063   |
| 44,0350,0939      |                      | 42,0001,0681    | 42,0411,4004            | 42,0411,0214          | 42,0411,0215           | 2,0         | .078   |
| 44,0350,1491      |                      | 42,0001,3004    | 42,0411,4002            | 42,0411,4008          | 42,0411,0162           | 2,4         | .094   |



## TORCH BODY P

| gas nozzle ceramic screwable 7/16"-20 UNF L=15,9mm /0,625inch | d7  |      | d8   |      | Part No.     |
|---|-----|------|------|------|--------------|
|   | mm  | inch | mm   | inch |              |
|   | 6,4 | .252 | 15,9 | .626 | 42,0300,2244 |
|   | 7,9 | .311 | 15,9 | .626 | 42,0300,2245 |
|   | 9,5 | .374 | 15,9 | .626 | 42,0300,2246 |

## TTB 300P F W ML /70°/L65 (44,0350,5478)

| Article no.  | Description                    | Quantity | Unit |
|--------------|--------------------------------|----------|------|
| 44,0350,4407 | TTB 160P G ML/70°/L65          | 1        | pc   |
| 42,0300,3206 | Cover cap 12.5x20-red          | 1        | pc   |
| 42,0402,0348 | Normatec-FKM-NT-80.7/75_9x2mm  | 1        | pc   |
| 42,0411,4012 | Tungsten electr. WC20/ø1,0x175 | 1        | pc   |
| 42,0001,0262 | Clamp. sl. case 3,2/ø9,5x20,6  | 1        | pc   |
| 42,0001,0261 | Clamp. sl. case 2,4/ø9,5x20,6  | 1        | pc   |
| 42,0001,0260 | Clamp. sl. case 1,6/ø9,5x20,6  | 1        | pc   |
| 42,0001,2827 | Clamp. sl. case 1,0/ø9,5x20,6  | 1        | pc   |
| 42,0100,0391 | Head shield stand. ø20/ø10,1x7 | 1        | pc   |
| 42,0001,1129 | Clamping sleeve MS 1.0/ø4.5x25 | 1        | pc   |
| 42,0001,1130 | Clamping sleeve 1.6/ø4.5x25    | 1        | pc   |
| 42,0001,1132 | Clamping sleeve 2.4/ø4.5x25    | 1        | pc   |
| 42,0001,1133 | Clamping sleeve 3.2/ø4.5x25    | 1        | pc   |
| 42,0411,4001 | Tungsten electr. WC20/ø1,6x175 | 1        | pc   |
| 42,0411,4002 | Tungsten electr. WC20/ø2,4x175 | 1        | pc   |
| 42,0411,4003 | Tungsten electr. WC20/ø3,2x175 | 1        | pc   |
| 42,0411,4008 | Tungsten electrode WP/ø1,6x175 | 1        | pc   |
| 42,0411,4005 | Tungsten electrode WP/ø2,4x175 | 1        | pc   |
| 42,0411,4006 | Tungsten electrode WP/ø3,2x175 | 1        | pc   |
| 42,0411,0161 | Tungsten electr. WS2-1.6x175mm | 1        | pc   |
| 42,0411,0162 | Tungsten electr. WS2-2.4x175mm | 1        | pc   |
| 42,0411,0163 | Tungsten electr. WS2-3.2x175mm | 1        | pc   |
| 44,0350,4412 | TTB 300P W ML/70°/L65          | 1        | pc   |
| 44,0350,1761 | Torch cap short L11            | 1        | pc   |
| 44,0350,1495 | Torch cap long L153            | 1        | pc   |
| 44,0350,1496 | Torch cap middle L64           | 1        | pc   |
| 42,0201,2368 | Key torch cap/SW6              | 1        | pc   |
| 42,0300,0105 | Gas nozzle ceramic ø14/ø6,5x30 | 1        | pc   |
| 42,0300,0106 | Gas nozzle ceramic ø14/ø8x30   | 1        | pc   |
| 42,0300,0107 | Gas nozzle ceramic ø14/ø9,5x30 | 1        | pc   |
| 42,0300,0108 | Gas nozzle ceramic ø15/ø11x30  | 1        | pc   |
| 42,0300,0109 | Gas nozzle cer. ø17,5/ø12,5x30 | 1        | pc   |
| 42,0300,0110 | Gas nozzle ceramic ø21/ø16x30  | 1        | pc   |
| 42,0001,1343 | Gas lens 1,0/ø14x22,5          | 1        | pc   |

## TTB 300P F W ML /70°/L65 (44,0350,5478)

| Article no.  | Description                    | Quantity | Unit |
|--------------|--------------------------------|----------|------|
| 42,0001,1344 | Gas lens 1,6/ø14x22,5          | 1        | pc   |
| 42,0001,1345 | Gas lens 2,4/ø14x22,5          | 1        | pc   |
| 42,0001,1346 | Gas lens 3,2/ø14x22,5          | 1        | pc   |
| 42,0300,0982 | Gas nozzle cer. ø20/ø6,5x25,5  | 1        | pc   |
| 42,0300,0983 | Gas nozzle ceramic ø20/ø8x25,5 | 1        | pc   |
| 42,0300,0984 | Gas nozzle cer. ø20/ø9,5x25,5  | 1        | pc   |
| 42,0300,2007 | Gas nozzle ceram. ø20/ø11x25,5 | 1        | pc   |
| 42,0300,2008 | Gas nozzle cer. ø19/ø12,5x25,5 | 1        | pc   |
| 44,0350,5451 | TTB 160A G F ML /70°/L65       | 1        | pc   |
| 44,0350,5478 | TTB 300P F W ML /70°/L65       | 1        | pc   |
| 42,0001,1131 | Clamping sleeve 2.0/ø4.5x25    | 1        | pc   |
| 42,0411,4004 | TUNGSTEN-ELECTRODE CER2% D=2.0 | 1        | pc   |
| 42,0411,0214 | Tung. el. WP/ø2.0x175          | 1        | pc   |
| 42,0411,0215 | Tung. el. WS2-2.0x175mm        | 1        | pc   |
| 42,0001,1135 | Gas lens 2.0/ø14.1x22          | 1        | pc   |
| 44,0350,1497 | Torch cap short L11            | 1        | pc   |
| 42,0001,2826 | Clamping sleeve 1,0/ø5,3x40,2  | 1        | pc   |
| 42,0001,3001 | Clamping sleeve 1,6/ø5,3x40,2  | 1        | pc   |
| 42,0001,3008 | Clamping sleeve 2,4/ø5,3x40,2  | 1        | pc   |
| 42,0001,3009 | Clamping sleeve 3,2/ø5,3x40,2  | 1        | pc   |
| 42,0100,0407 | Head shield big ø30/ø12,8x14   | 1        | pc   |
| 42,0001,3010 | Gas lens big 1,0/ø25,4x41      | 1        | pc   |
| 42,0001,3011 | Gas lens big 1,6/ø25,4x41      | 1        | pc   |
| 42,0001,3012 | Gas lens big 2,4/ø25,4x41      | 1        | pc   |
| 42,0001,3013 | Gas lens big 3,2/ø25,4x41      | 1        | pc   |
| 42,0300,2247 | Gas nozzle cer. ø30,5/ø9,5x48  | 1        | pc   |
| 42,0300,2248 | Gas nozzle cer. ø30,5/ø12,5x48 | 1        | pc   |
| 42,0300,2249 | Gas nozzle ceram. ø30,5/ø16x48 | 1        | pc   |
| 42,0300,2250 | Gas nozzle ceram. ø30,5/ø19x48 | 1        | pc   |
| 44,0350,1489 | Gas lens 1,0/ø11,5x15          | 1        | pc   |
| 44,0350,1490 | Gas lens 1,6/ø11,5x15          | 1        | pc   |
| 44,0350,1491 | Gas lens 2,4/ø11,5x15          | 1        | pc   |
| 42,0100,0387 | Head shield 7/16" ø20/ø12x6    | 1        | pc   |
| 42,0100,0388 | Head shield long 7/16"         | 1        | pc   |

**TTB 300P F W ML /70°/L65 (44,0350,5478)**

| Article no.  | Description                    | Quantity | Unit |
|--------------|--------------------------------|----------|------|
| 42,0001,3002 | Clamping sleeve 1,0/ø3,2x14    | 1        | pc   |
| 42,0001,3003 | Clamping sleeve 1,6/ø3,2x14    | 1        | pc   |
| 42,0001,3004 | Clamping sleeve 2,4/ø4x13,5    | 1        | pc   |
| 42,0300,2244 | Gas nozzle ceramic ø16/ø6,5x16 | 1        | pc   |
| 42,0300,2245 | Gas nozzle ceramic ø16/ø8x16   | 1        | pc   |
| 42,0300,2246 | Gas nozzle ceramic ø16/ø9,5x16 | 1        | pc   |
| 42,0001,0570 | Clamping sleeve large 2.0/     | 1        | pc   |
| 42,0001,0571 | Gas lens large 2.0/ø25.4x41    | 1        | pc   |
| 44,0350,0939 | Gas lens 2.0/ø11.5x15          | 1        | pc   |
| 42,0001,0681 | Fixing sleeve 2.0/ø3.2x14      | 1        | pc   |