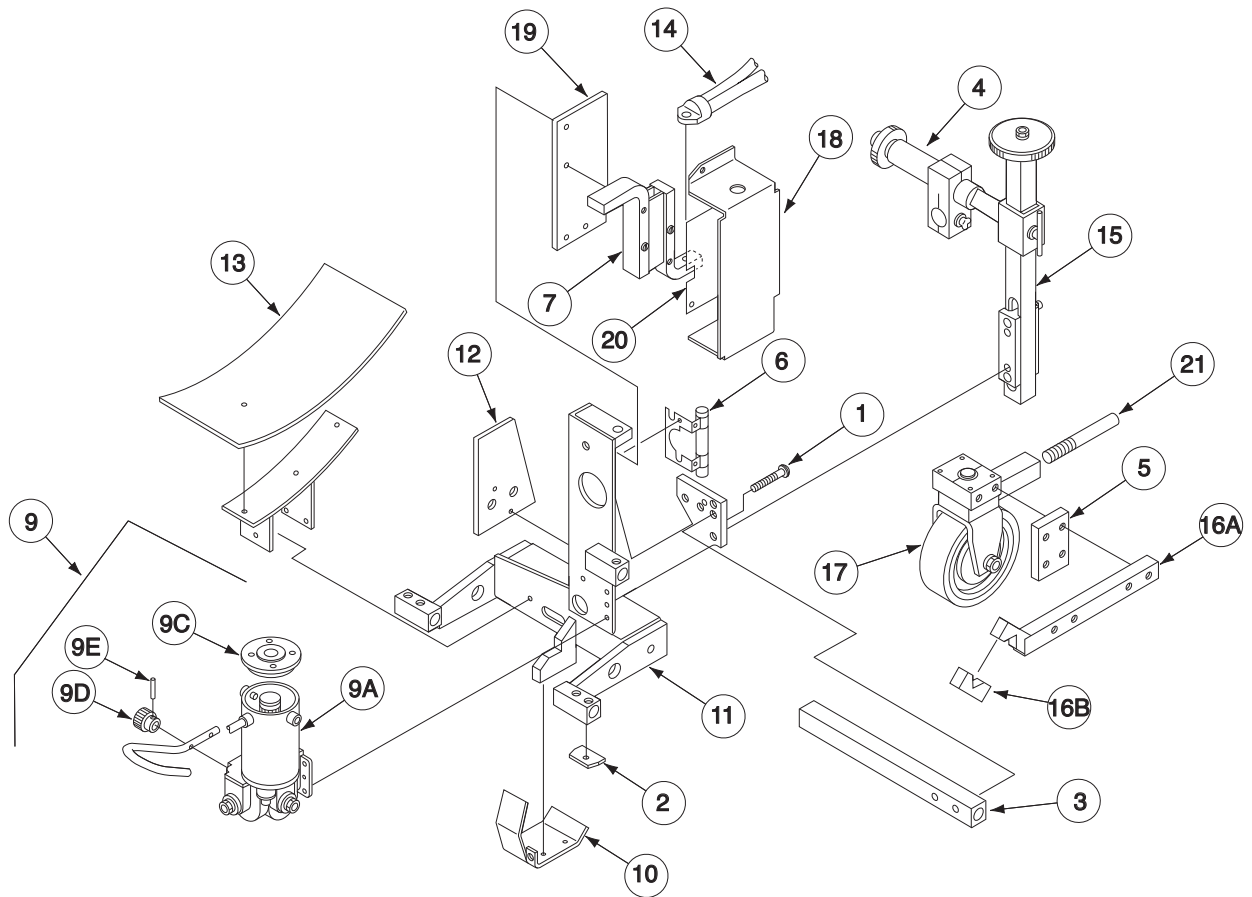


**SEC. M7
LT-7
K227 OR K395
LIGHTWEIGHT TRACTOR
PARTS LIST
Model Index**

General Assembly	P-117-C
Head Assembly	P-117-D
Wire Straightener	P-117-F
Front Wheel Assembly	P-117-G
K229, K230 & K232 Optional Guide Kits	P-117-J
Control Box	P-117-L
Internal Controls Assembly	P-117-M
Vertical Head Lift Adjuster	P-117-O
K277-1 & -2 Tiny Twinarc Adapter Kits	P-117-P
K285 Concentric Flux Cone	P-114-J
K231 Nozzle Assembly	P-101-M
K148 Fully Automatic Nozzles and Extensions	P-101-K
K224 Solid-State Remote Field Control	P-114-H
K396 Track Sections	P-117-R
Conversion Kit (To Convert K227 Tractor to Track Model)	Order K400

GENERAL ASSEMBLY

(ONE OF THREE)



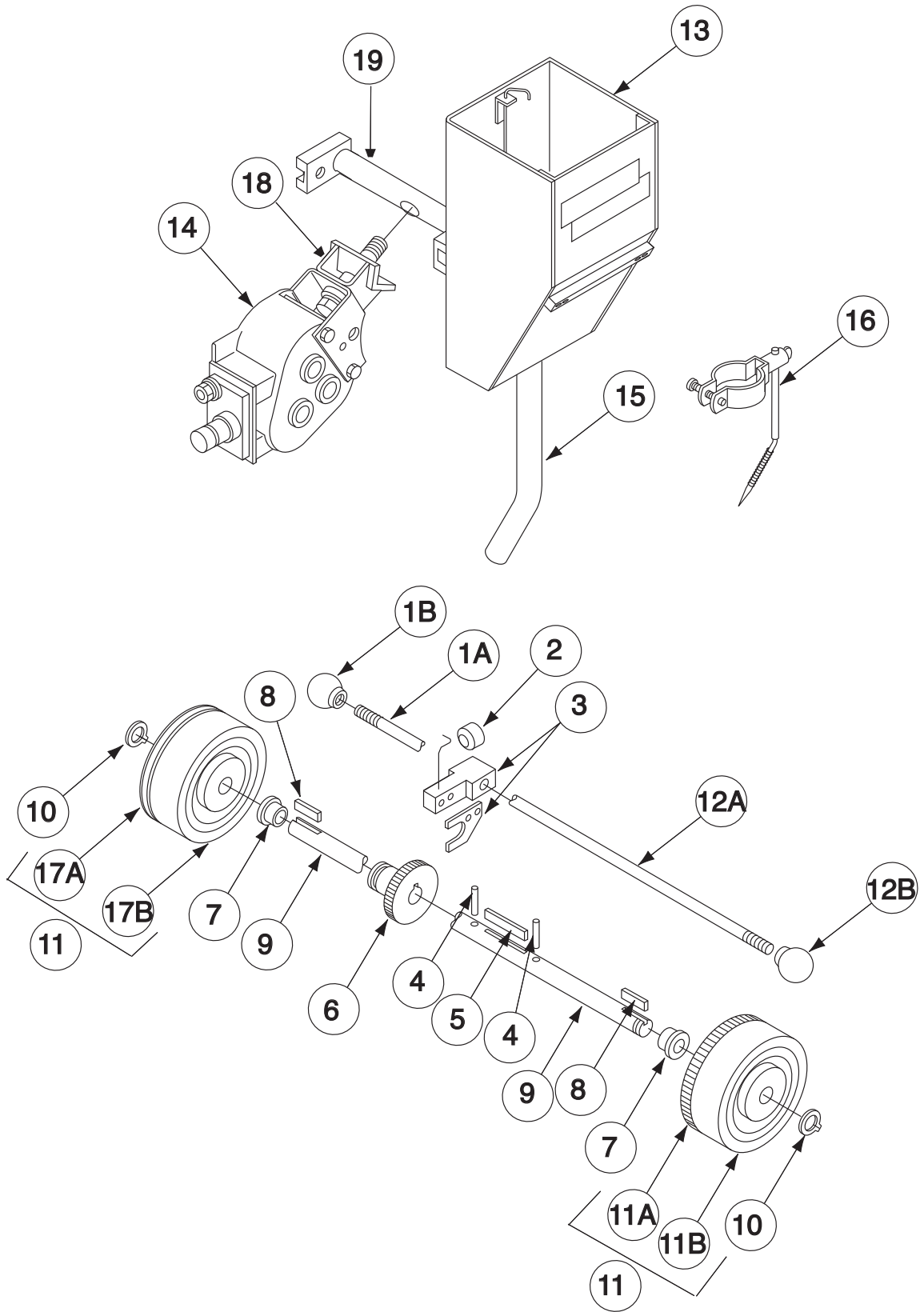
# Indicates a Change This Printing												
ITEM	DESCRIPTION	PART NO.	QTY.	1	2	3	4	5	6	7	8	9
1	Button Head Socket Screw	T11551-2	1	X								
2	Wheel Scraper	T8456	2	X								
3	Cross Beam (D1) (Std. Tractor)	M12673	1	X								
3	Cross Beam Assembly, Includes: (Track Model Only)	S17630	1	X								
	Mast Pad	S15808-1	1	X								
	Arm	M12673	1	X								
4	Cross Seam Assembly (F3)	M12671	1	X								
5	Cam Block Spacer Pad	T13673	1	X								
6	Reed Switch Assembly (3CR), Includes:	S13920-1	1	X								
	Reed Switch	S12334-15	1	X								
	Energizer	M11688	1	X								
7	Shunt	M12667	1	X								
8	Cable Strain Relief Ring (A4) (Not Shown)	S15181	1	X								
9	Tractor Drive Assembly, Includes: (A1) (Below Code 9100)	M12682	1	X								
9	Tractor Drive Assembly, Includes: (A1) (Above Code 9100)	M15341	1	X								
9A	Drive Motor and Gear Box (Below Code 9100)	M12348-1 Ø	1	X								
9B	Brush and Spring Assembly	M12348-1B	2	X								
9C	Brush Cap	M12348-1C Ø	2	X								
9A	Drive Motor and Gear Box (Above Code 9100)	M15340	1	X								
9B	Brushes (Not Shown)	M15340-B	2	X								
9C	Brush Caps	M15340-C	2	X								
9D	Pinion Gear	S15208	1	X								
9E	Roll Pin	T9967-3	1	X								
10	Drive Gear Guard	M12865	1	X								
11	Frame Assembly (Below Code 7675)	L5279	1	X								
11	Frame Assembly (Above Code 7675)	L5685	1	X								
12	Reel Side Shield	S15210	1	X								
13	Reel Bottom Shield (A7)	S15216	1	X								
14	Nozzle Cable (Std. Tractor)	M12700-1	1	X								
14	Nozzle Cable (Track Model Only)	M12700-2	1	X								
15	Mast (F1) (Below Code 8000)	S15814	1	X								
15	Vertical Head Lift Adjuster (F1) (Above Code 8000)	M13334-1	1	X								
	Vertical Head Lift Adjuster Parts	See P-117-O										
16	Clamp Arm (D2), Includes:Hardware (Not Shown)	S15194	1	X								
16A	Upper Jaw and Arm	M12672	1	X								
16B	Lower Jaw	S15193	1	X								
17	Front Wheel Assembly (D) (Std. Tractor)	M12669	1	X								
17	Front Wheel Assembly (D) (Track Model Only)	M14813	1	X								
	Wheel Assembly Parts	See P-117-G										
18	Shunt Cover	L5278	1	X								
19	Shunt Insulation	S15170	1	X								
20	Shunt Shield	S15430	1	X								
21	Steering Extension Arm	T13733	1	X								

#

Ø This part is obsolete and no longer available.

General Assembly

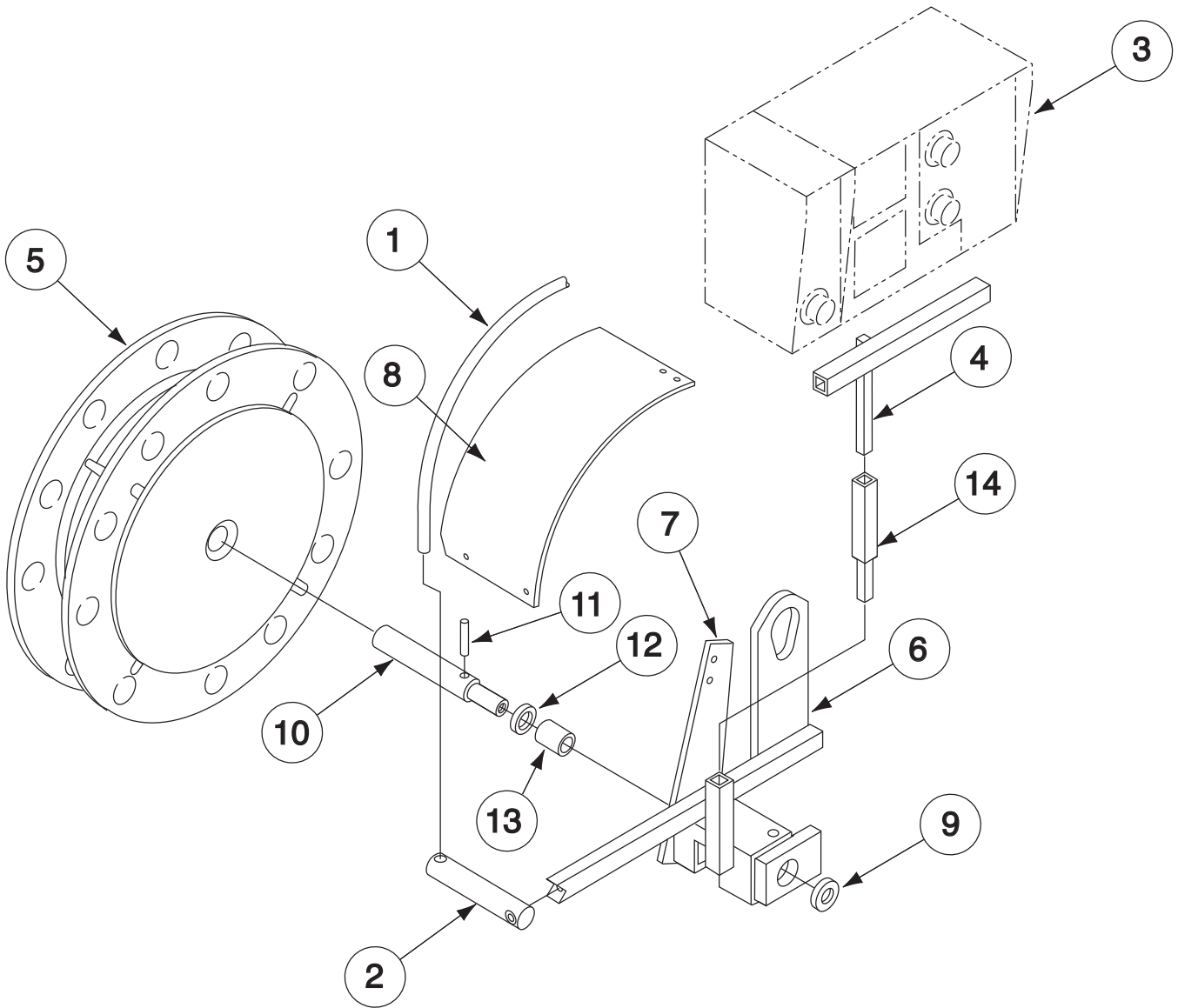
(TWO OF THREE)



# Indicates a Change This Printing												
ITEM	DESCRIPTION	PART NO.	QTY.	1	2	3	4	5	6	7	8	9
1A	Clutch Handle (A2)	T9781-43	1	X								
1B	Knob	T10889	1	X								
2	Clutch Spring Cam	T13728	1	X								
3	Clutch Fork Assembly	S15164	1	X								
4	Roll Pin	T9967-6	2	X								
5	Drive Gear Key	M8776-83	1	X								
6	Drive Gear	S15172	1	X								
7	Bearing	S16645-2	2	X								
8	Wheel Key	M8776-84	1	X								
9	Axle	S15171	1	X								
10	Retaining Ring	S9776-16	2	X								
11	Rear Wheel (A3) (Std. Tractor)	S15191	2	X								
11	Gear Wheel Assembly, Includes: (Track Model Only)	S17632	1	X								
11A	Gear Wheel	S17631	1	X								
11B	Wheel	S17635	1	X								
12A	Clutch Handle (A2)	T9781-44	1	X								
12B	Knob	T10889	1	X								
13	Flux Hopper Assembly, Includes: (E7)	M12691	1	X								
	Flux Flow Valve	S15223	1	X								
14	Wire Straightener (E3) & Wire Straightener Parts	See P-117-F	1	X								
15	Flux Tube and Tip	T13835	1	X								
16	Pointer Assembly	S15287	1	X								
	Pointer Clamp for K148 Nozzle (Not Shown)	S15286-2	1	X								
17	Rail Wheel Assembly, Includes: (Track Model Only)	S17634-1	1	X								
17A	Rail Wheel	S17633	1	X								
17B	Wheel	S17635	1	X								
18	Bumper Handle Assembly, Includes:	M13051	1	X								
19	Handle	S15659	1	X								

General Assembly

Three of Three



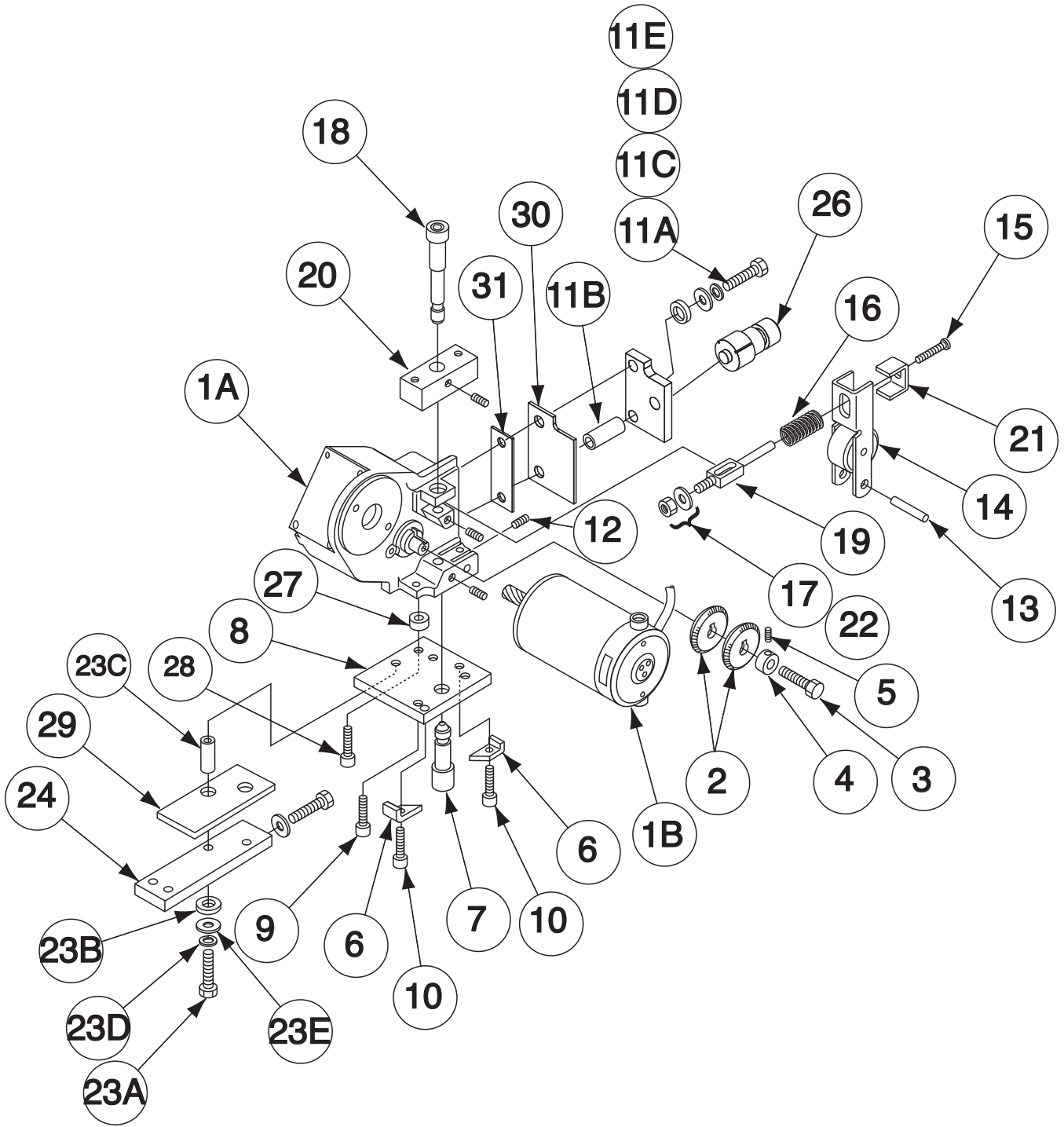
Use only the parts marked "X" in the column under the heading number called for in the model index page.

Indicates a Change This Printing

ITEM	DESCRIPTION	PART NO.	QTY.	1	2	3	4	5	6	7	8	9
1	Electrode Feed Tube	S14004-2	1	X								
2	Electrode Take-Off Arm	S15195	1	X								
3	Control Box (C)	See P-117-L	1	X								
4	Control Box Support (C4) (Below Code 7675)	S15242	1	X								
4	Control Box Support (C4) (Above Code 7675)	S15820	1	X								
5	Wire Reel (B3)	L4604	1	X								
6	Reel Mount Assembly (B1) (Below Code 7675)	M12787 \emptyset	1	X								
6	Reel Mount Assembly (B1) (Above Code 7675)	M13255	1	X								
7	Reel Top Shield Support	S15446	1	X								
8	Reel Top Shield (Below Code 7675)	T13811	1	X								
8	Reel Top Shield (Above Code 7675)	T14021	1	X								
9	Insulating Washer	S10773-47	1	X								
10	Wire Reel Shaft	S15199	1	X								
11	Roll Pin	T9967-9	1	X								
12	Plain Washer	S9262-26	1	X								
13	Insulating Tube	T12478-5	1	X								
14	Control Box Mount Extension	S15184-1	1	X								

\emptyset This part is obsolete and no longer available.

HEAD ASSEMBLY

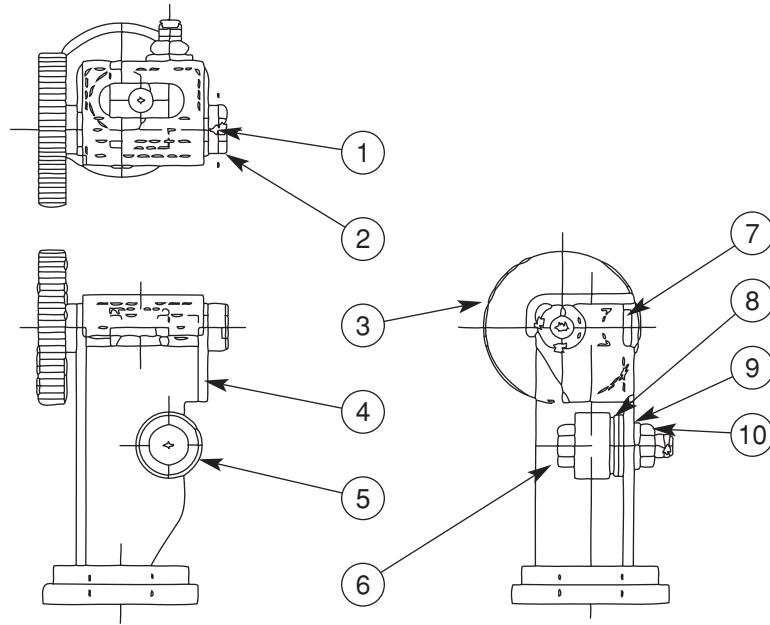


# Indicates a Change This Printing												
ITEM	DESCRIPTION	PART NO.	QTY.	1	2	3	4	5	6	7	8	9
1A	Gear Box Asbly, Includes: Gear Box Only (without Motor)	L5504-1 L5504-1A	1 1	X X								
1B	Drive Motor Assembly, Includes: Drive Motor Brush 8 Spring Assembly Brush Cap Pinion Gear Roll Pin Groove Pin, Motor to Gear Box Socket Head Screw, Motor to Gear Box	M12711 NSS M13274-6 M13274-7 T13183 T9967-33 T10580-6 T9447-7	1 1 2 2 1 1 1 2	X X X X X X X X								
2	Drive Roll	S14541-3/16	2	X								
3	Sems Screw	T10082-26	1	X								
4	Collar Assembly	T12341	1	X								
5	Key	M8776-82	1	X								
6	Nozzle Clip	T13715	2	X								
7	Outgoing Guide Tube	S15230-3/16	1	X								
8	Nozzle Mount Pad	S15209	1	X								
9	Socket Head Cap Screw	T9447-9	2	X								
10	5/16-18 x 1.00 HHCS	CF000062	2	X								
11A*	5/16-18 x 1.50 HHCS	CF000081	2	X								
11B	Insulating Tube, Pivot Arm Mounting (Code 7429 Only)	T7305-41 Ø	2	X								
11B	Insulating Tube, Pivot Arm Mounting	T7305-43	2	X								
11C	Insulating Washers, Pivot Arm Mounting (Code 7429 Only)	S10773-41	2	X								
11C	Insulating Washers, Pivot Arm Mounting	S10773-58	2	X								
11D	Flat Washer	S9262-121	2	X								
11E	Lock Washer	E106A-14	2	X								
12	Socket Set Screw	S11604-8	4	X								
13	Pivot Pin	T13271-1	1	X								
14	Idle Roll Assembly	S16666-1	1	X								
15*	#10-24 x 0.50 SHCS	T9447-56	1	X								
16	Spring	T10247-11	1	X								
17	5/16-18 HN	CF000029	1	X								
18	Incoming Guide Tube	S15229-3/16	1	X								
19	Idle Roll Pull Arm	S14533	1	X								
20	Straightener Mounting Block	T13672	1	X								
21	Idle Roll Arm Bracket	T14443	1	X								
22	Flat Washer	S9262-121	1	X								
23A	5/16-18 x 1.25 HHCS	CF000028	2	X								
23B	Insulating Washer	S10773-58	2	X								
23C	Insulating Tube	T7028-134	2	X								
23D	Lock Washer	E106A-14	2	X								
23E	Flat Washer	S9262-121	2	X								
24	Fillet Lap Attachment, Mounting Plate	S15398	1	X								
26	Pivot Plate and Arm Assembly (Code 7429 Only)	S15220 Ø	1	X								
26	Pivot Plate and Arm Assembly	S15220-1	1	X								
27	Spacer	S10153-37	1	X								
28	1/4-20 x .875 Socket Head Cap Screw	T9447-10	1	X								
29	Insulation	T13695	1	X								
30	Insulation, Pivot Arm Mounting (Code 7429 Only)	S15217 Ø	1	X								
30	Insulation, Pivot Arm Mounting	S15217-1	1	X								
31*	Spacer	S27125-1	1	X								

NSS - Not Sold Separately

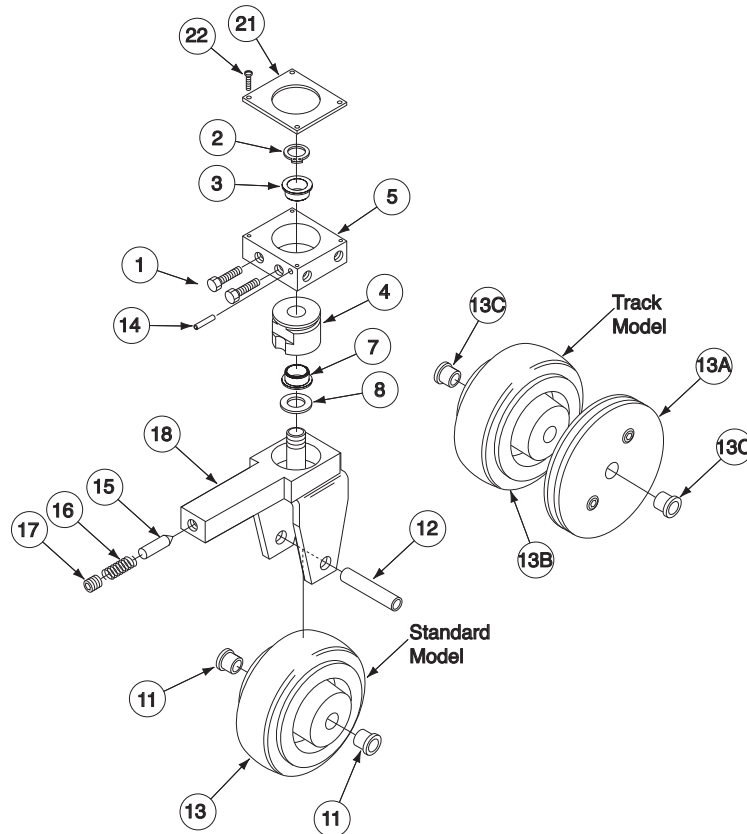
Ø This part is obsolete and no longer available.

WIRE STRAIGHTENER



# Indicates a Change This Printing												
ITEM	DESCRIPTION	PART NO.	QTY.	1	2	3	4	5	6	7	8	9
	Wire Straightener, Includes:	M12680	1									
1	Roll Pin	T9967-5	1									
2	Screw Bushing	T10585	1									
3	Slide Screw Assembly	S10159	1									
4	Body Assembly	M12679	1									
5	Wire Guide Wheel	M9300-55	2									
6	5/16-18 x 1.25 HHCS	CF000028	1									
7	Slide Bushing	T10584	1									
8	Flat Washer	S9262-140	2									
9	Lock Washer	E106A-14	1									
10	5/16-18 HN	CF000029	1									

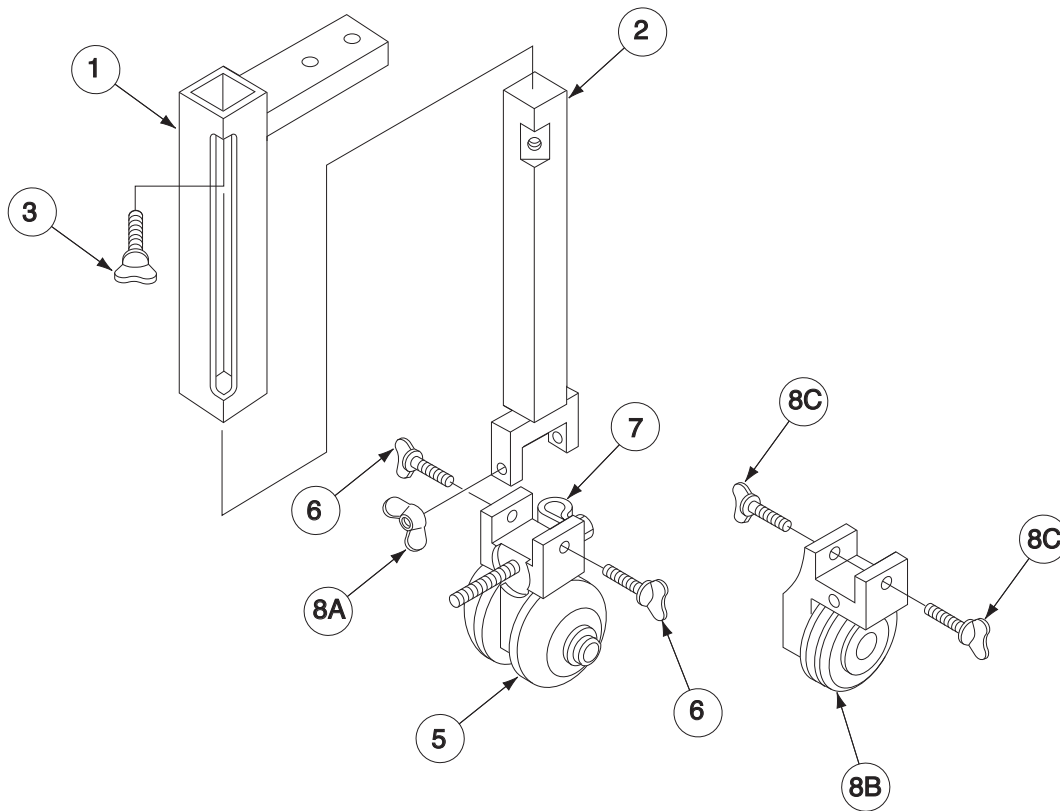
FRONT WHEEL ASSEMBLY



# Indicates a Change This Printing												
ITEM	DESCRIPTION	PART NO.	QTY.	1	2	3	4	5	6	7	8	9
	Front Wheel Assembly, Includes: (Std. Tractor)	M12669	1	X								
	Front Wheel Assembly, Includes: (Track Model Only)	M14813	1	X								
1	3/8-16 x .875 HHCS	CF00000	2	X								
2	Retaining Ring	S9776-7	1	X								
3	Bearing	S11099-2	1	X								
4	Steerage Cam	S15162	1	X								
5	Cam Block (Upper)	S15163	1	X								
7	Bearing, Bronze	S11099-2	1	X								
8	Plain Washer	S9262-41	1	X								
10	5/16-18 HN (Not Shown)	CF000029	1	X								
11	Bearing (Std. Tractor Only)	S11099-5	2	X								
12	Sleeve	S10918-52	1	X								
13	Wheel (Std. Tractor)	S15191	1	X								
13	Wheel (Track Model Only) Includes:	S17634-2	1	X								
13A	Rail Wheel	S17633	1	X								
13B	Wheel	S17635	1	X								
13C	Bearing	S11099-5	2	X								
14	Roll Pin	T9967-31	1	X								
15	Steerage Plunger	T13665	1	X								
16	Compression Spring	T11862-27	1	X								
17	Set Screw	S11604-26	1	X								
18	Plunger & Wheel Housing Assembly	S15186	1	X								
19	Lock Washer (Not Shown)	E106A-14	2	X								
20	5/16-18 x 2.75 HHCS (Not Shown)	CF000073	1	X								
21	Instruction Plate	S15292	1	X								
22	Drive Screw	S8025-51	4	X								

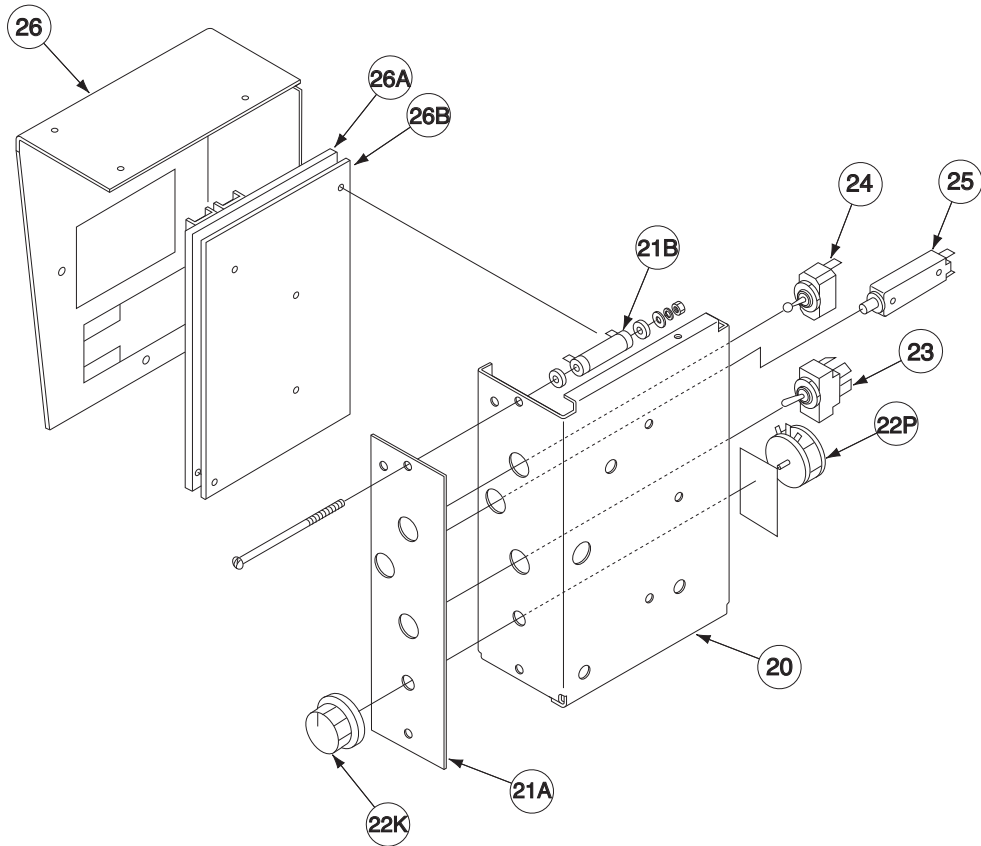
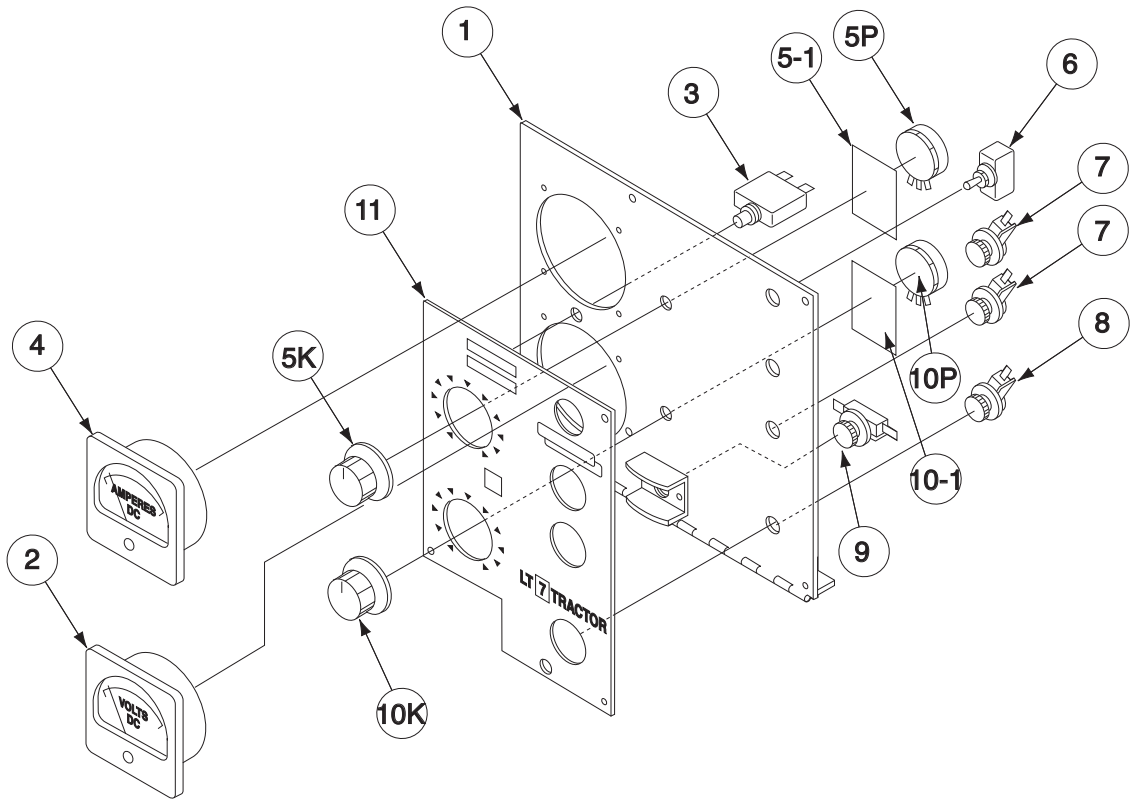
NOTES

OPTIONAL GUIDES



# Indicates a Change This Printing												
ITEM	DESCRIPTION	PART NO.	QTY.	1	2	3	4	5	6	7	8	9
	Butt Guide Kit, Includes:	K230	1									
	Guide Wheel Bracket	S15259	1									
	Guide Wheel	S7393	2									
	Retaining Ring	S9776-49	2									
	Flat Fillet Guide Kit, Includes:	K229	1									
	Reel Adapter Bracket	M12709	1									
	Rear Support Assembly, Includes:	S15279	1									
	Bracket	M 12704	1									
	Wheel	T14494	1									
	Front Support Assembly, Includes:	S15278	1									
	Bracket	S15232	1									
	Wheel	T14494	1									
	Horizontal Fillet-Lap Guide Kit, Includes:	K232	1									
	Front Guide Assembly, Includes:	M13958	1									
1	Attachment Arm	S15248	1									
2	Slide Arm and Yoke Pivot	S15251	1									
3	Wing Screw	T9078	1									
5	Fillet Guide Wheel Assembly	S16743	1									
6	Wing Screw	T9078-1	2									
7	Clamp	T8970-13	1									
8A	Wing Nut	T9968-1	1									
8B	Lap Guide Wheel Assembly	S15285	1									
8C	Wing Screw	T9078	2									
	Tension Spring and Hook (Not Shown)	T13731	1									
	Rear Support, Includes: (Not Shown)	S15280	1									
	Arm	S15231	1									
	Wheel	T14494	1									

CONTROL BOX



For Codes Below 7900 use Column 1. For Codes 7900 to 9100 use Column 2. For Codes 9176 & 10313 use Column 3.		For Codes 9177 & 10319 use Column 4. For Code 11357 Use Column 5. For Code 11358 Use Column 6.		# Indicates a Change This Printing								
ITEM	DESCRIPTION	PART NO.	QTY.	1	2	3	4	5	6	7	8	9
	Complete Control Box Assembly, Includes: (Code 7429 Only)	L5292	1	X			
	Complete Control Box Assembly, Includes:	L5292-1	1	X			
	Complete Control Box Assembly, Includes: (Std. Tractor)	L5878-2	1	.	X			
	Complete Control Box Assembly, Includes: (Track Model Only)	L5878-4	1	.	X			
	Complete Control Box Assembly, Includes: (Std. Tractor)	L5878-5	1	.	.	X	.	.	.			
	Complete Control Box Assembly, Includes: (Track Model Only)	L5878-6	1	.	.	.	X	.	.			
	Complete Control Box Assembly, Includes: (Std. Tractor)	L5878-7	1	X	.			
	Complete Control Box Assembly, Includes: (Track Model Only)	L5878-8	1	X			
A	Front Panel Assembly, Includes:	M12698	1	X			
A	Front Panel Assembly, Includes:	M12698-2	1	.	X	X	X	.	.			
A	Front Panel Assembly, Includes:	M12698-4	1	X	X			
1	Panel	S15245	1	X	X	X	X	.	.			
1	Panel	S15245-1	1	X	X			
2	Voltmeter	M10486-3	1	X	X	X	X	.	.			#
2	Voltmeter	M21002-1	1	X	X			#
3	Circuit Breaker	T12287-8	1	X	X	X	X	X	X			
4	Ammeter	M10485-7	1	X	X	X	X	.	.			#
4	Ammeter	M21003-2	1	X	X			#
5-P	Potentiometer	T10812-122	1	X	X	X	X	X	X			
5-K	Knob	T10491	1	X	X	X	X	X	X			
5-1	Insulation	T12792-1	1	X	X	X	X	X	X			
6	Control Power Switch	T13111	1	X	X	X	X	X	X			
7	Inch Switch	T13541-2	2	X	X	X	X	X	X			
8	Stop Switch	T13541-1	1	X	X	X	X	X	X			
9	Start Switch	T13541-2	1	X	X	X	X	X	X			
10-P	Potentiometer	T10812-37	1	X	X	X	X	X	X			
10-K	Knob	T10491	1	X	X	X	X	X	X			
10-1	Insulation	T12792-1	1	X	X	X	X	X	X			
11	Nameplate - VV	L5867-1	1	X	X	X	X	X	X			
11	Nameplate - CV (Mounts under VV Nameplate)	L5283-1	1	.	X	X	X	X	X			
B	Travel Control Box Assembly, Includes:	M12696	1	X			
B	Travel Control Box Assembly, Includes: (Std. Tractor)	M13473-2	1	.	X	X	.	X	.			
	Travel Control Box Assembly, Includes: (Track Model Only)	M13473-3	1	.	X	.	X	.	X			
20	Box	S15239	1	X			
20	Box	S16128	1	.	X	X	X	X	X			
21	Nameplate (Std. Tractor)	M12697	1	X			
21	Nameplate (Std. Tractor)	M13469-2	1	.	X	X	.	X	.			
21	Nameplate (Track Model Only)	M13469-5	1	.	X	.	X	.	X			
	Resistor (Not Illustrated)	S10404-73	1	X	X	X	X	X	X			
22-P	Travel Speed Potentiometer	T10812-71	1	X	X	X	X	X	X			
22-K	Knob	T10491	1	X	X	X	X	X	X			
23	Direction of Travel Switch	T13111	1	X			
23	Direction of Travel Switch	T10800-7	1	.	X			
23	Direction of Travel Switch	T10800-61	1	.	.	X	X	X	X			
24	Travel Switch	T13543	1	X	X			
24	Travel Switch	T10800-23	1	.	.	X	X	X	X			
25	Circuit Breaker	T12287-7	1	X	X	X	X	X	X			
26	Travel Box Cover	S15238	1	X			
26	Travel Box Cover	S15238-1	1	.	X	X	X	X	X			

Ø This part is obsolete and no longer available.

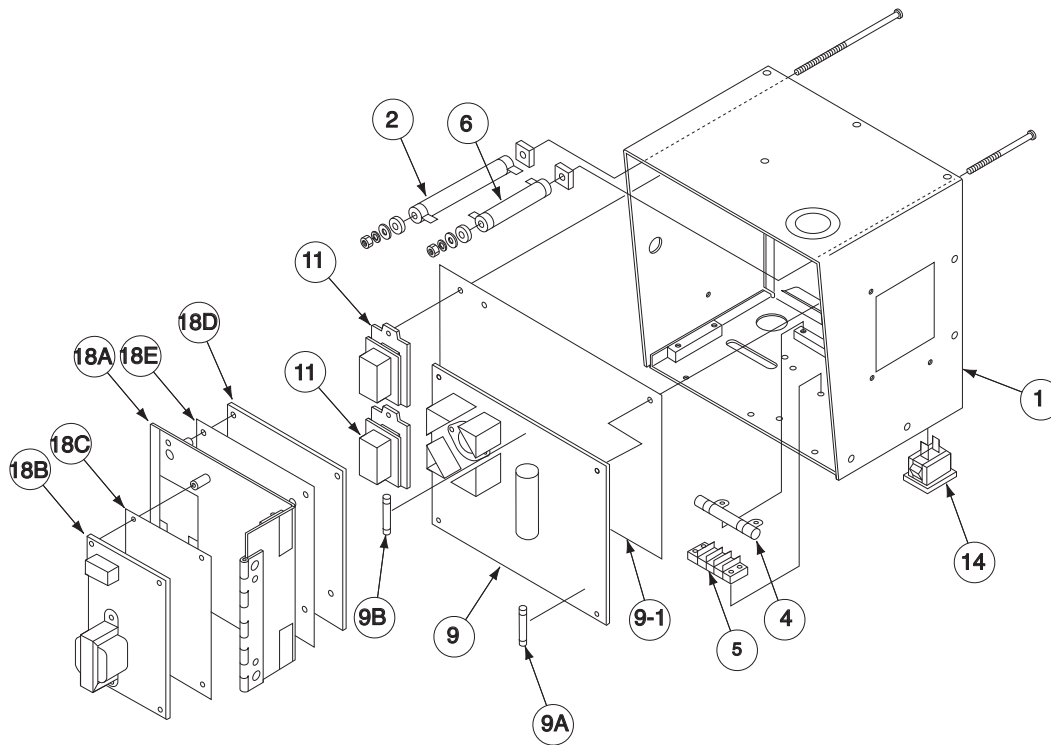
ITEM		DESCRIPTION	PART NO.	QTY.	1	2	3	4	5	6	7	8	9
		Travel P.C. Board (Not Illustrated) Includes:	L5302 Ø	1	X	•	•	•	•	•			
		Travel P.C. Board (Not Illustrated) Includes:	L8731-1	1	•	X	•	•	•	•			
		Travel P.C. Board (Not Illustrated) Includes:	L7454-1	1	•	•	X	X	X	X			
		Fuse, 1/2 Amp Slo-Blo	T10728-14	1	X	X	•	•	•	•			
		Travel P.C. Board Insulation	T13711	1	X	•	•	•	•	•			
		Travel P.C. Board Insulation	T14189	1	•	X	X	X	X	X			
C		Internal Control Box Assembly	See P-117-M	1	X	X	X	X	X	X			

For Codes Below 7900 use Column 1.
 For Codes 7900 to 9100 use Column 2.
 For Codes 9176 & 10313 use Column 3.

For Codes 9177 & 10319 use Column 4.
 For Code 11357 Use Column 5.
 For Code 11358 Use Column 6.

Indicates a Change This Printing

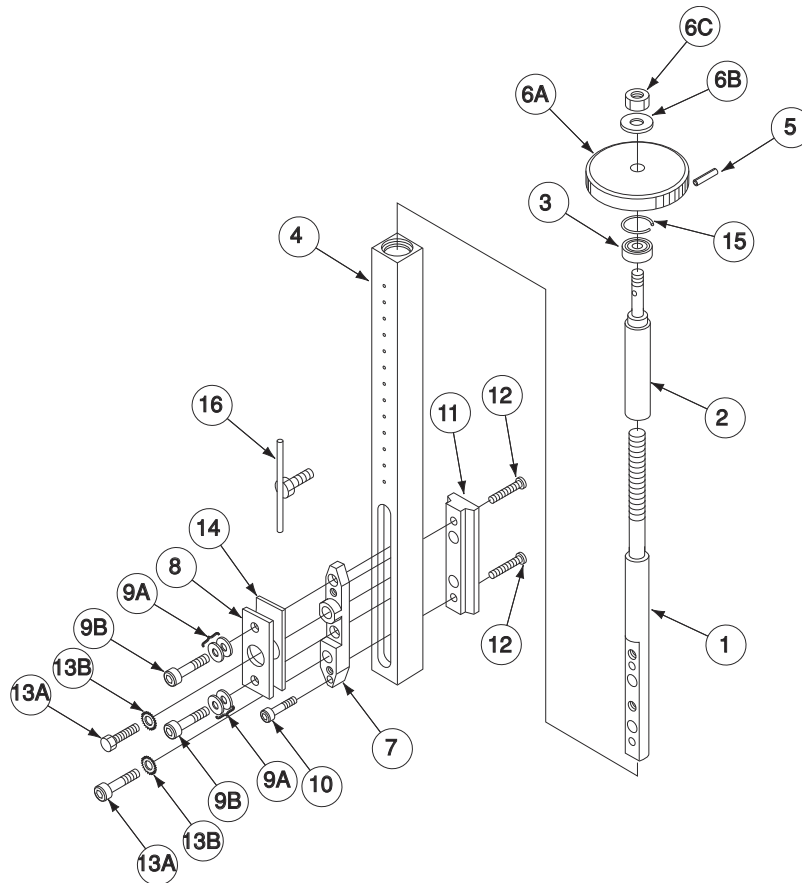
INTERNAL CONTROLS ASSEMBLY



# Indicates a Change This Printing			For Codes Below 7900 use Column 1. For Codes Above 7900 use Column 2.									
ITEM	DESCRIPTION	PART NO.	QTY.	1	2	3	4	5	6	7	8	9
C	Internal Control Box Asbly, Includes: (Code 7429 Only)	L5291	1	X	•							
C	Internal Control Box Asbly, Includes:	L5291-1	1	X	•							
C	Internal Control Box Asbly, Includes:	L5291-4	1	•	X							
1	Control Box	M12685	1	X	•							
1	Control Box	M12685-1	1	•	X							
2	Resistor (2 OHM)	S10404-75	1	X	X							
4	Reed Switch Assembly (4CR), Includes: Reed Switch	T13708	1	X	X							
5	Terminal Strip Number Plate	S13323-5	1	X	X							
		T10726-89	1	X	X							
6	Resistor (250 OHM)	S10404-76	1	X	X							
9	Control P.C. Board, Includes: (Code 7429 Only)	L6958-2	1	X	•							
9A	Fuse (1/2 Amp Slo-Blo)	T10728-14	1	X	X							
9B	Fuse (2/10 Amp)	T10728-27	1	X	X							
9	Control P.C. Board:	L6959-2	1	X	X							
9-1	Control P.C. Board Insulation (Not Shown)	T13707	1	X	X							
11	Relay (1 CR and 2 CR)	S22182	2	X	X							
14	Auxiliary Power Outlet	T13698	1	X	X							
18	Inner Panel Assembly, Includes:	S15235	1	X	•							
18	Inner Panel Assembly, Includes:	S15235-1	1	•	X							
18A	Panel	S15244	1	X	X							
18B	Variable Voltage P.C. Board	L5394-[]	1	X	X							
18C	Variable Voltage P.C. Board Insulation	T13705	1	X	X							
18D	Logic P.C. Board	L5927-[]	1	X	•							
18D	Logic P.C. Board	L5927-[]	1	•	X							
18E	Logic P.C. Board Insulation	T13706	1	X	X							
	Insulation (Mounts Under Lead Clamp) (Not Shown)	T11472-11	1	X	X							
	Control Harness (Not Shown), Includes:	S13100-8	1	X	X							
	Cable Connector (9 Contact)	S12023-2	1	X	X							

K280 VERTICAL HEAD LIFT ADJUSTER

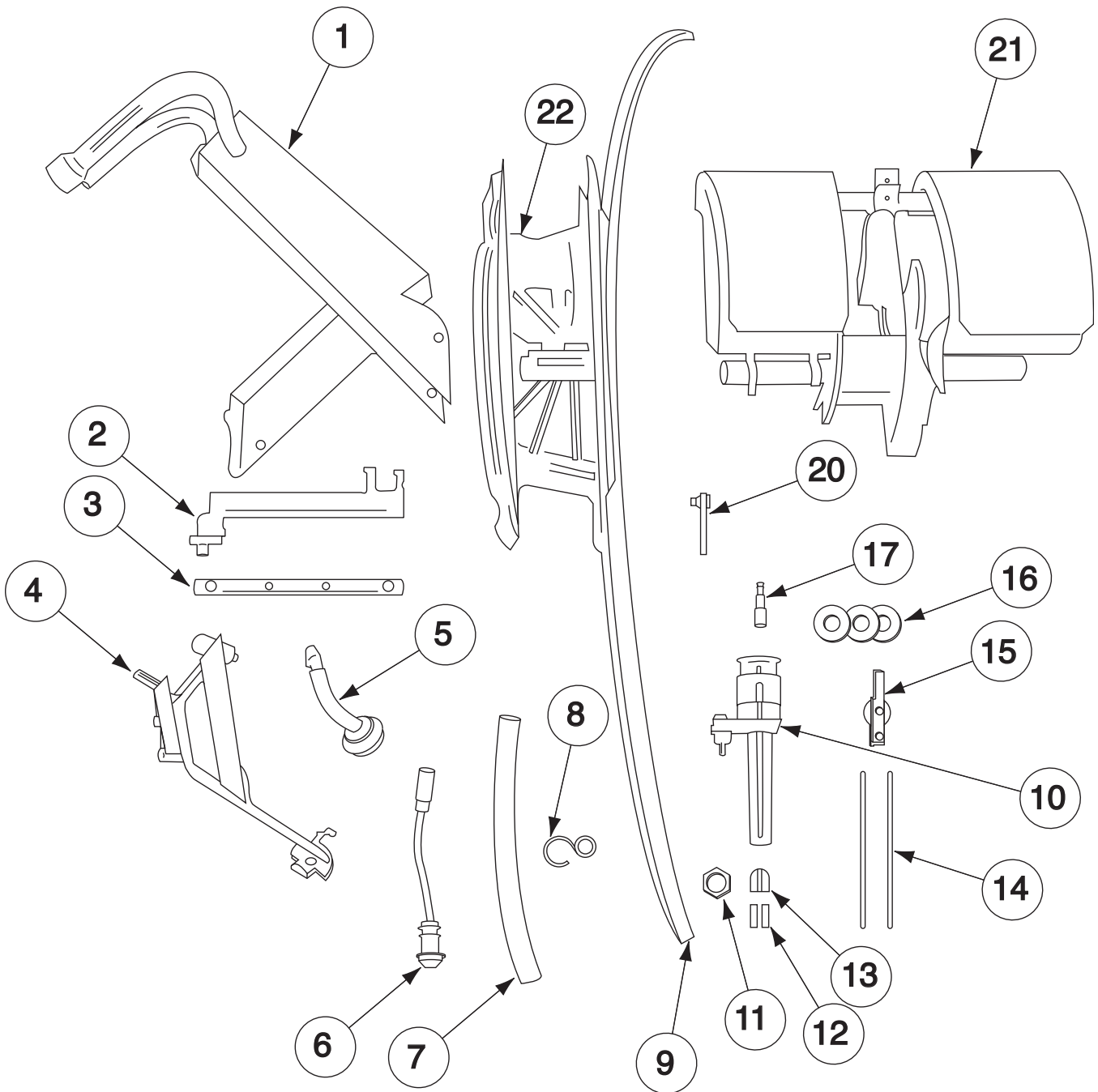
(Standard Equipment on LT-7 Tractors Above Code 7948)



Indicates a Change This Printing

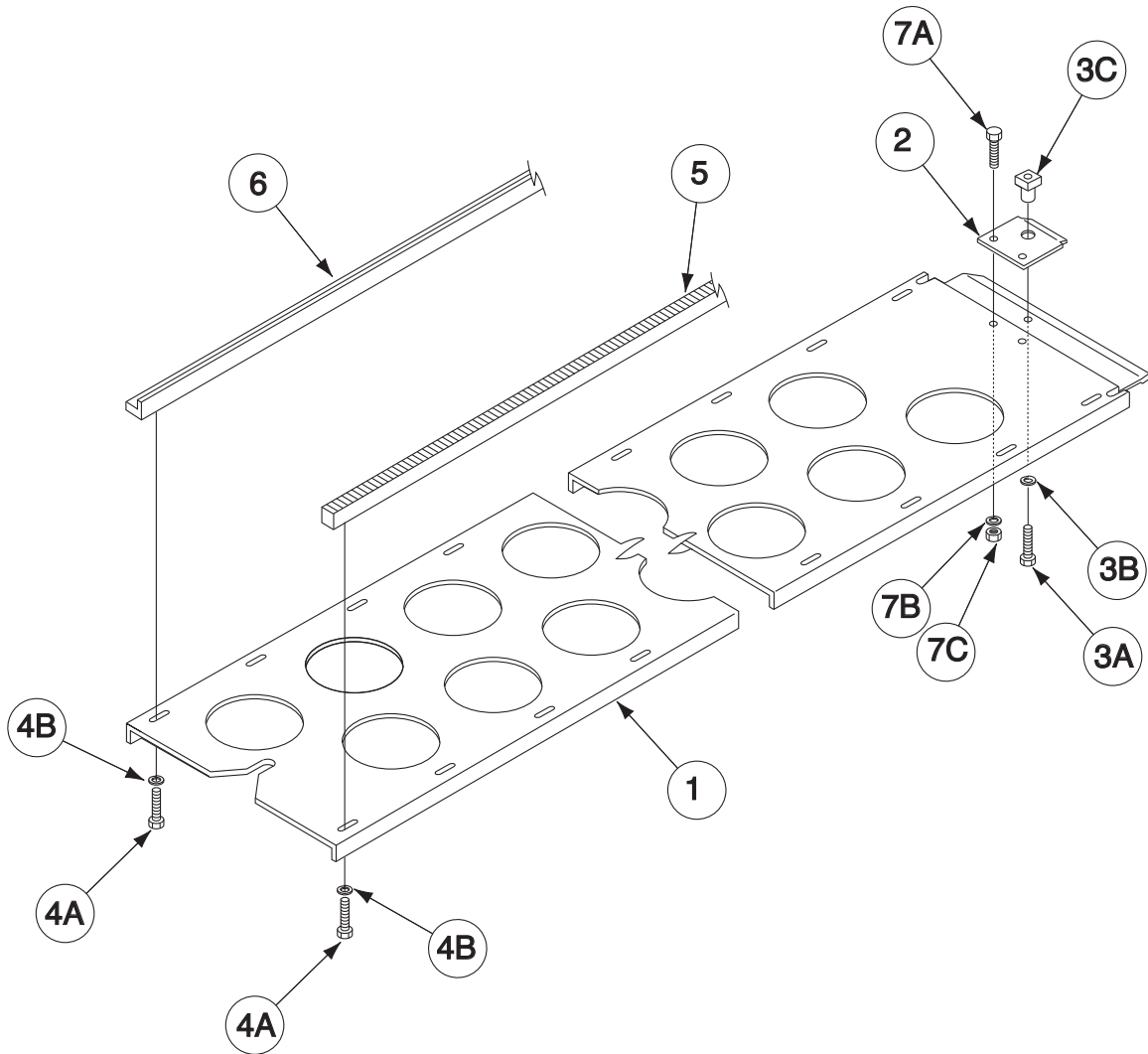
ITEM	DESCRIPTION	PART NO.	QTY.	1	2	3	4	5	6	7	8	9
	Vertical Head Lift Adjuster, Includes All Below:	M13334-1	1	X								
1	Mast Core	S15931	1	X								
2	Barrel and Shaft Assembly	S15930	1	X								
3	Bearing	M9300-97	1	X								
4	Mast	M13333	1	X								
5	Roll Pin	T9967-6	1	X								
6A	Adjusting Knob	S15928	1	X								
6B	Lock Washer	E106A-14	1	X								
6C	5/16-18 HN	CF000029	1	X								
7	Mounting Plate	S15929	1	X								
8	Pressure Plate	T14077-1	1	X								
9A	Bow Washer	T10781-5	4	X								
9B	Socket Head Cap Screw	T9447-27	2	X								
10	Torx Button Head Screw	S25930-1	1	X								
11	Slide Pad	S15927	1	X								
12	#8-32 x 1.00 Slotted Flat Head Screw	CF000037	2	X								
13A	3/8-16 x 2.00 HHCS	CF000071	2	X								
13B	Lock Washer	T9860-4	2	X								
14	Pressure Slide	T14077-2	1	X								
15	Retaining Ring	S11964-2	1	X								
16	"T" Locking Screw	T14078	1	X								

K277-1 AND -2 TINY TWINARC ADAPTER KITS



# Indicates a Change This Printing												
ITEM	DESCRIPTION	PART NO.	QTY.	1	2	3	4	5	6	7	8	9
1	Reel Adapter ⁽¹⁾	M13396	1									
2	Front Stabilizer Wheel Attachment	S15857	1									
3	Rear Wheel Support Arm	S15744	1									
4	Front Support Wheel (45° Flat Fillet)	S16025	1									
5	Rear Support Wheel (Flat Fillet) ⁽¹⁾	S15279										
6	Travel Motor Extension Cable ⁽¹⁾	S15965	1									
7	Flux Tube	T10642-34	1									
8	Hose Clamp	T12929	1									
9	Wire Guide Tube (5 Ft. Length)	S14004-3	1									
	Nozzle Assembly, Includes Items 10 & 11	M11609	1									
10	Nozzle Body	S13164	1									
11	Nozzle Collar	S13157	1									
12	Contact Tip (5/64) (Note A)	KP2100-4B1	2									#
12	Contact Tip (3/32)	KP2100-3B1	2									#
13	Tip Holder, Includes:	KP1988-1	1									#
	Nozzle Insert	KP2094-4	2									#
14	Guide Tube (5/64 & 3/32)	KP2092-2	2									#
15	Idle Roll Arm	S15769	1									
16	Drive Roll (Outside)	KP1890-2	2									#
16	Drive Roll (Center)	KP1890-1	1									#
17	Outgoing Guide Tube	KP1986-1	1									#
18	Incoming Guide Tube (Not Illustrated)	KP2127-1	1									#
19	Wire Guide Support (Not Illustrated)	T14683	1									
20	Head Spring Extender	T14145	1									
21	Twin Reel Mounting Assembly	L5629	1									
22	Wire Reel	L4604	1									
23	Slide Bushing (Not Illustrated)	S16461	1									
<p>Note A: When tip life is limited by tip being fused over, the use of T14726-5/64 tips may result in lower overall cost.</p> <p>¹⁾ The K277-1 Kit contains all items except 1, 4, 5 and 6. The K277-2 Kit contains all items shown.</p>												

K396 TRACK SECTIONS



# Indicates a Change This Printing												
ITEM	DESCRIPTION	PART NO.	QTY.	1	2	3	4	5	6	7	8	9
1	Track Bed	L7050	1	X								
2	Coupling Clip	S17628	1	X								
3A	1/4-20 x .500 HHCS	CF000012	1	X								
3B	Lock Washer	E106A-2	1	X								
3C	Coupling Pin	T14921	1	X								
4A	#10-24 x .312 PPNHS	CF000335	24	X								
4B	Lock Washer	T9695-1	24	X								
5	Gear Rack	S14747-1	1	X								
6	Guide Rail	S17629	1	X								
7A	1/4-20 x .50 HHCS	CF000012	2	X								
7B	Lock Washer	E106A-2	2	X								
7C	1/4-20 HN	CF000017	2	X								
8	Sems Screw (Not Shown)	T10082-6	24	X								

NOTES
