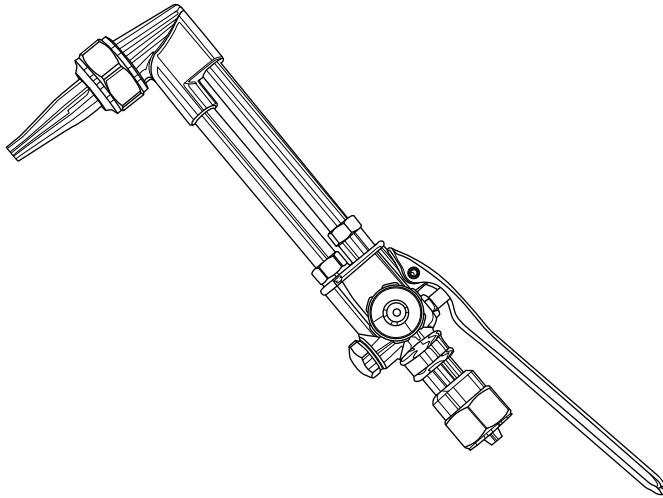


**Victor CutSkill • Heavy & Medium Duty**

**Handles and Attachments**



**CA 370-V & CA 270-V**

- Universal mixer
- Easy-on cutting oxygen
- Stainless steel cutting oxygen lever and ball valve

Part No.	Model No.	Cutting Range	Tip Series	Head Angle
<b>0387-2650</b>	CA 370-V (formerly CA 35)	6" (152.4mm)	1	90°
<b>0387-2600</b>	CA 270-V (formerly CA 25)	5" (127.0mm)	3	90°

Heavy and medium duty cutting attachments for use with acetylene, propane, butane, liquid air fuel gas, natural gas (2 PSI & above) and propylene. Cutting attachment accepts Victor Professional and CutSkill Victor Style Tips.

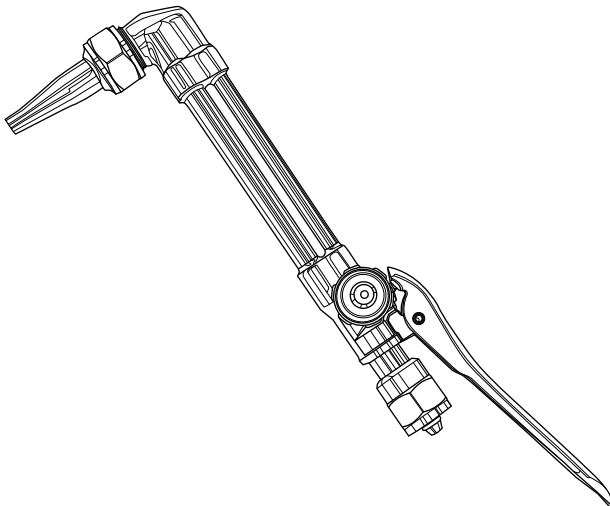
**Outfits with 370-V Series Cutting Attachments:**

CutSkill 450  
CutSkill 350

**Outfits with 270-V Series Cutting Attachments:**

CutSkill 250  
CutSkill Portable Tote

**Victor FirePower • Heavy & Medium Duty**



**CA 350-FS & CA 250-FS**

- Universal mixer
- Triangular tube design
- Stainless steel cutting oxygen lever and ball valve

Part No.	Model No.	Cutting Range	Tip Series	Head Angle
<b>0381-0744</b>	CA 350-FS	5" (127.0mm)	1	90°
<b>0381-0740</b>	CA 250-FS	3" (76.2mm)	3	90°

Heavy and medium duty cutting attachments for use with all fuel gases (natural gas 2 PSI and above). Proper tip required. Cutting attachment accepts Victor Professional and CutSkill Victor Style Tips.

**Outfits with 350-FS Series Cutting Attachments:**

FirePower 350

**Outfits with 250-FS Series Cutting Attachments:**

FirePower 250